



## Spare Parts Lists

### Rear tipper

### VOLVO

### FM xxx 6x4 / 3.40 + 1.37 M

Edition: February 2013

No. 0026 0115 083

## Contents

Designation	Spare parts lists	Page
Notes on ordering spare parts.....		3
Oil tank type 901/309 (effective capacity 77 litres) .....	0901 2060 309.....	4
T-piece with shut-off device, type 911/22, non-freezing down to -40° C .....	0911 2062 022.....	5
Control valve type 501/221, non-freezing down to -45° C.....	0501 2040 221 c.....	6
Pneumatic control valve operation unit, non-freezing down to -45 °C.....	0000 2052 072 a.....	7
3-piston telescopic ram, type 4416/10.....	4416 2021 010.....	8
9-piston axial pump type 295/4 n.....	0295 2001 004 q.....	9
Outlet and Inlet connection .....	1000 1099 989.....	10
Tailgate bearing .....	1000 1099 464.....	11
Mounting of body bearing .....	1000 1099 476.....	12
Automatic claw lock.....	0000 1067 689.....	13
Mounting of spare wheel lifting device .....	0000 1099 808.....	14
Mounting of rise over lateral protection device.....	0090 9078 058.....	15
Mounting of steel mud guards.....	0090 1083 508.....	16
Mounting of scow-end.....	0090 1093 014 – 016.....	17
Mounting of heating connection .....	0090 1081 078.....	18
Subframe attachment for VOLVO Chassis .....	0026 1099 004.....	19
Spare wheel mounting.....	2000 1099 291.....	20
Protective cover mounting .....	1000 1099 900.....	21
Longitudinal roll-up tarpaulin with crank .....	0000 9079 050 – 054/079.....	22
Tarpaulin crank.....	0000 9051 052.....	23

## Notes on ordering spare parts

Please quote the following information when ordering spare parts:

1. Order number (see data plate).
2. Name and number of the part according to the spare parts list (with parts for the hydraulic pump and hydraulic cylinder, indicate the engraved type and **serial number** as well).
3. Information from the data plate mounted in front to the left/right of the hydraulic cylinder bearing or in front to the left on the loading platform.
4. Vehicle type
5. For parts that have no diagram number in the spare parts list (for example, the arms), indicate the number stamped on the parts.

We undertake our guarantee as part of our delivery conditions.

Use only original MEILLER spare parts!

**As we make every effort to continuously improve our products, your rear tipper may possess new features which could not be included in this manual before it went to print.**

Spare parts can be ordered at the MEILLER plant in Munich:

### Germany

Phone		(089) 1487- . . . .
Customer name	A - D	1716
	E - H	1757
	I - M	1597
	N - R	1782
	S	1713
	T - Z	1779
Collection:	A - Z	1596
other phone numbers		1714 / 1717 / 2400

### Export

Phone + 49 89 1487 - 1719/1759

### Fax

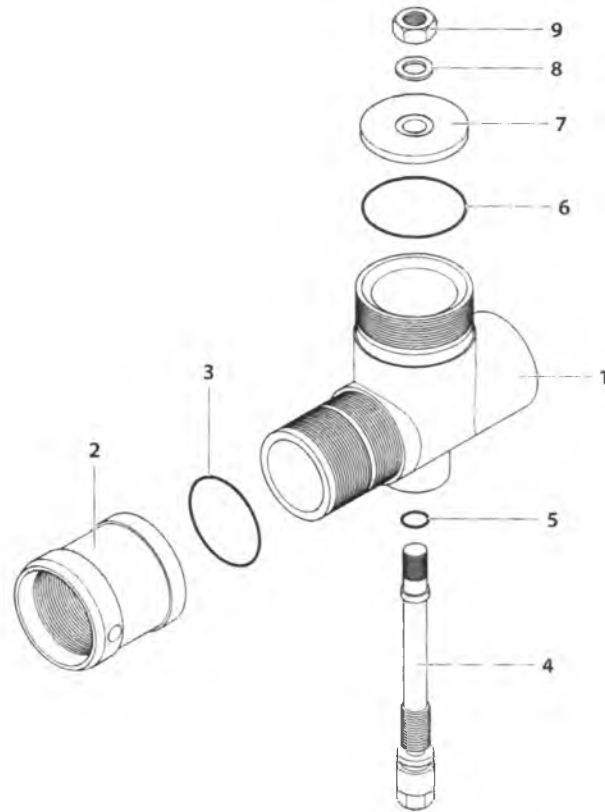
Germany + 49 89 1487 - 1400  
Export + 49 89 1487 - 1400

### E-mail

ersatzteile@meiller.com  
spare.parts@meiller.com

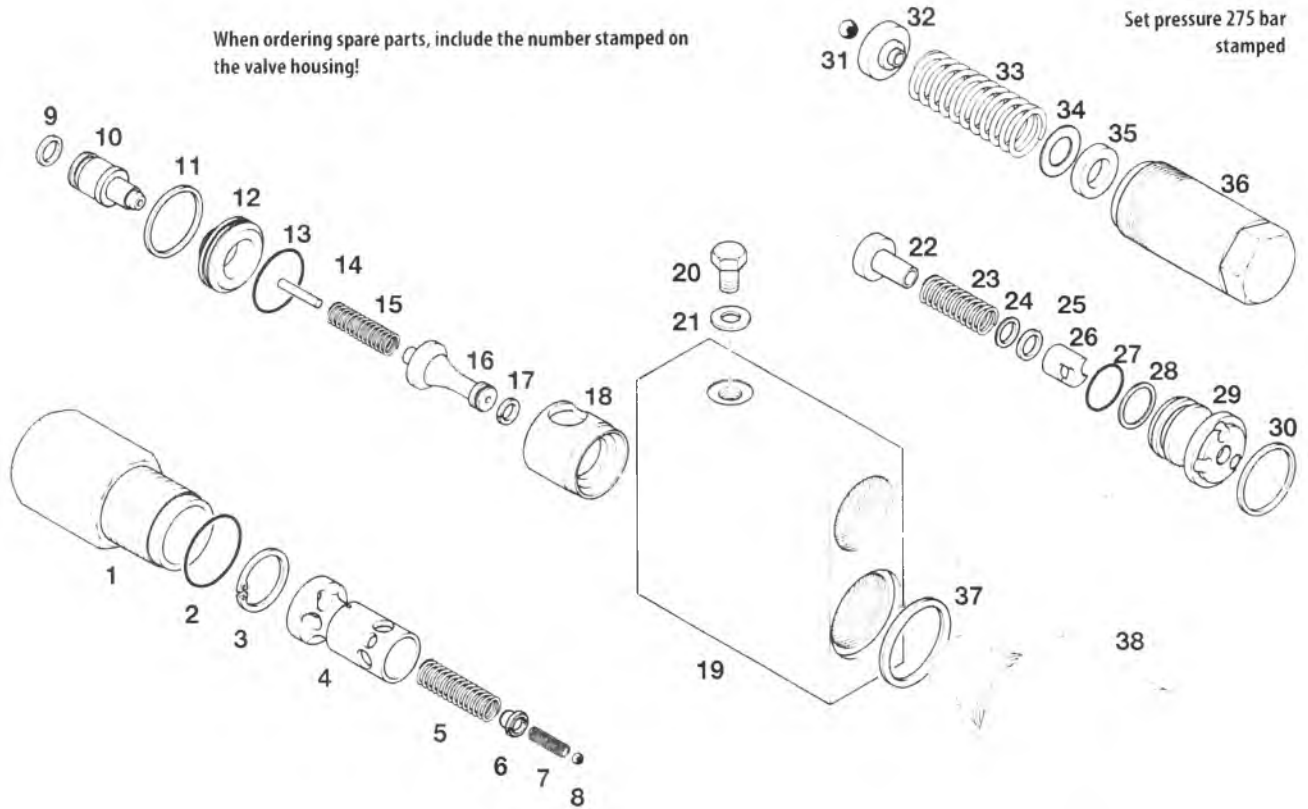
And at the following:

MEILLER Appointed Dealers  
MEILLER Service Workshops

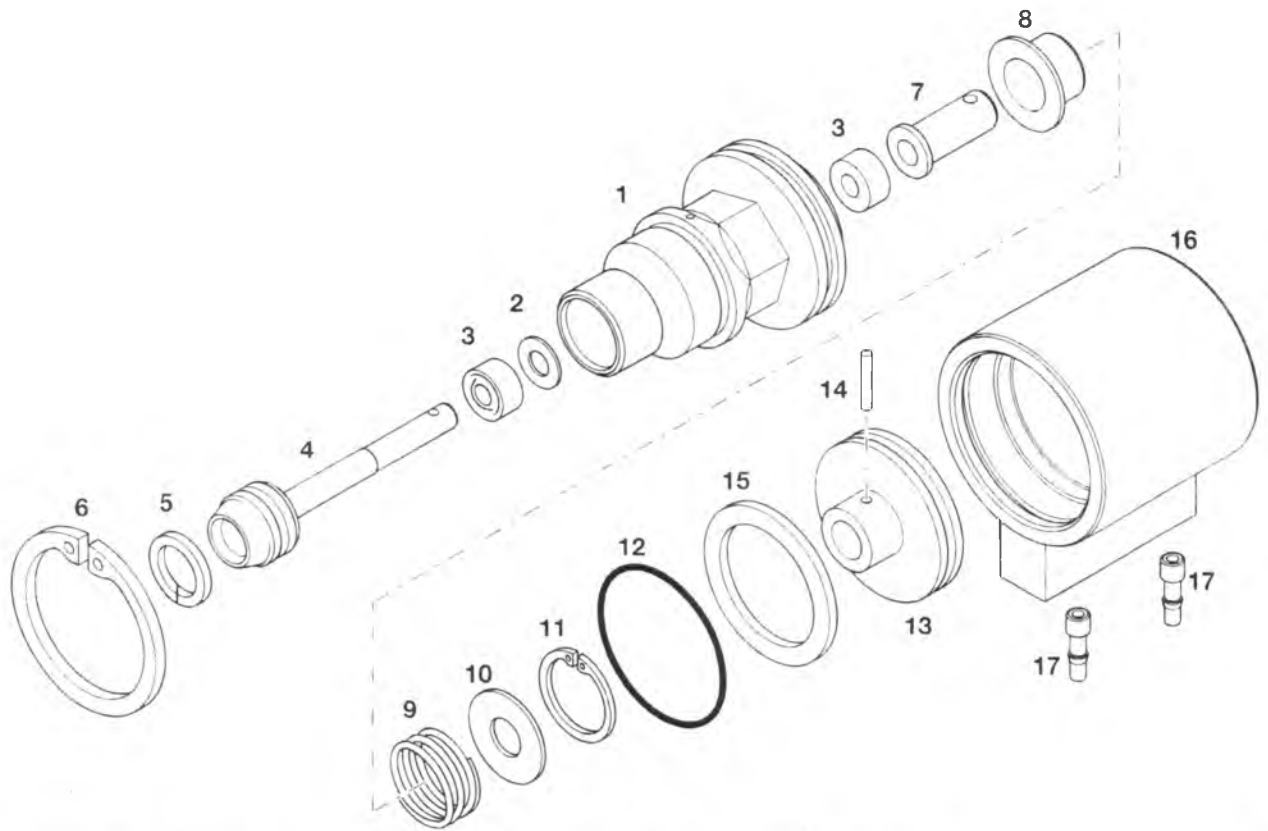


It.	Part Number	Description	Qty.	It.	Part Number	Description	Qty.
1	0911 2610 010	Housing	1				
2	0000 9943 079	Hose sleeve	1				
3	604 544	Thread sealing gasket	M 42x1.5	1			
4	0911 2306 003	Valve stem	1				
5	610 811	O-ring	11.3x2.4	1			
6	610 834	O-ring	44.45x3.53	1			
7	0000 2307 108	Conical stop device	1				
8	600 164	Gasket	A 10x16x1.5	1			
9	501 408	Lock nut	VM 10	1			

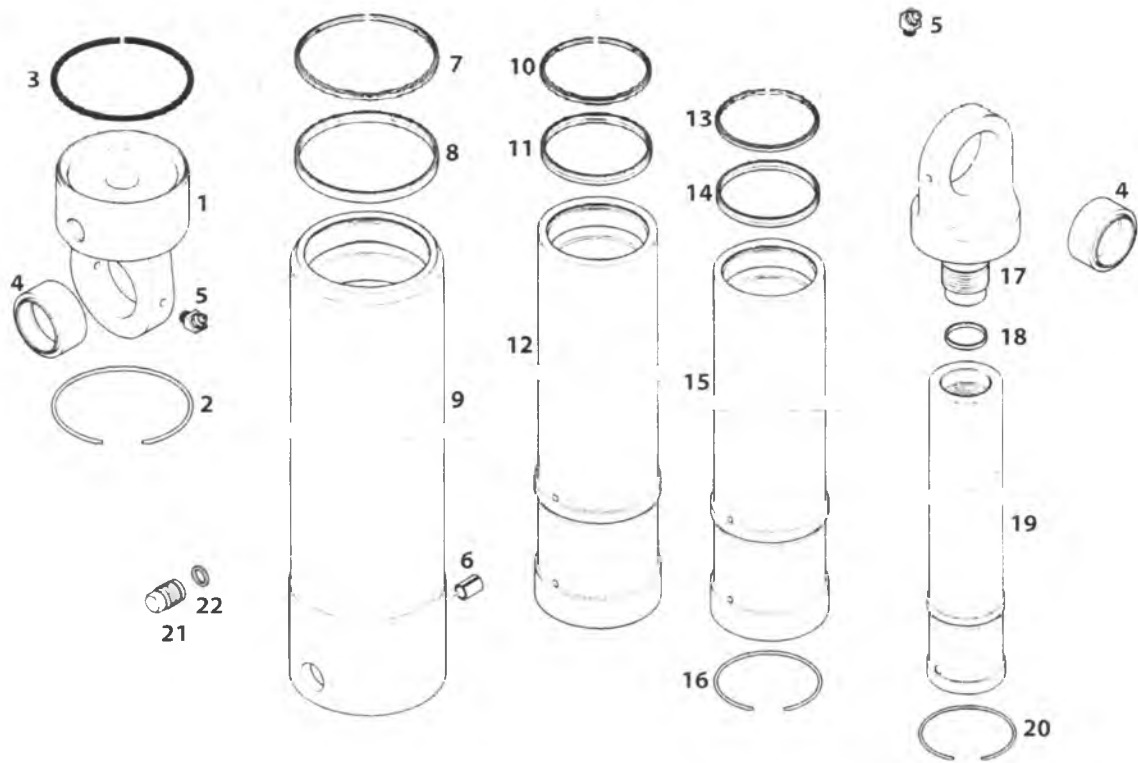
When ordering spare parts, include the number stamped on the valve housing!



It.	Part Number	Description	Qty.	It.	Part Number	Description	Qty.
1	0000 9202 104	Guide screw	1	29	0000 2303 080	Valve seat	1
2	610 056	O ring	32.0x4.5	30	0000 9401 048	Gasket	30x34
3	517 413	Circlip	IK 30	31	567 305	Ball	10 mm
4	0000 2319 031	Lead	1	32	0000 2305 048	Spring retainer	1
5	0000 9301 255	Pressure spring	1	33	702 281	Spring	1
6	0000 2305 060	Spring retainer	1	34	514 815	Washer	0.5 mm thick
7	0000 9301 023	Helical spring	1	35	0000 9614 533	Plate	1
8	567 012	Ball	6 mm III	36	0000 9201 238	Screw plug	1
9	604 006	Cylinder valve set	10x14x2	37	600 193	Gasket	A 36x42
10	0501 2307 014	Valve cone	1	38	0000 2052 068	<b>Pneum. control valve operation, compl.</b>	1
11	0000 9401 048	Gasket	2	0501 9097 221	Customer service tool set		
12	0000 2303 101	Valve seat	1			as required	
13	610 820	O-ring	29.0x3.0				
14	567 492	Needle coil	3x33.8				
15	0000 9301 001	Helical spring	1				
16	0000 2309 075	Valve pin	1				
17	0000 9407 005	Cylinder valve set	1				
18	0000 2303 085	Valve seat	1				
19	0501 2301 030	Valve housing	1				
20	433 529	Hexagon head bolt	M 10x1x10				
21	600 164	Gasket	A 10x16x1.5				
22	0000 2319 016	Lead	1				
23	0000 9301 238	Helical spring	1				
24	0000 9614 556	Plate	1				
25	612 352	Packing	1				
26	0000 2309 065	Valve pin	1				
26	610 818	O-ring	22.2x3.0	1			
28	612 500	Support ring	SRA 28-2.6	1			

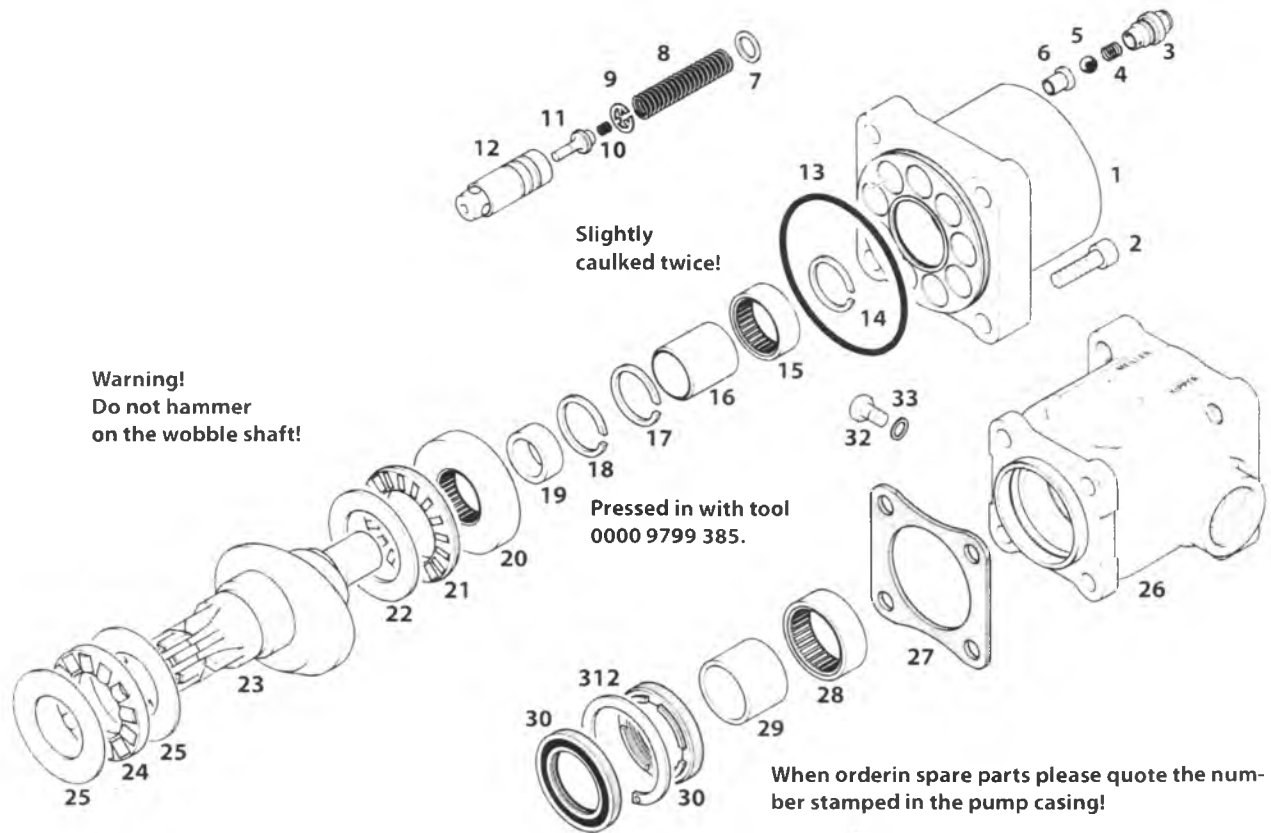


It.	Part Number	Description	Qty.	It.	Part Number	Description	Qty.
1	0000 9202 092	Guide screw	1				
2	612 521	Support ring	8x16x1	1			
3	612 408	Lip seal	8/16x5,5	2			
4	0000 2053 001	Control piston		1			
5	0000 9407 010	Packing		1			
6	516 230	Circlip	55x2	1			
7	0000 2319 030	Guide bush		1			
8	0000 2305 058	Spring retainer		1			
9	0000 9301 257	Pressure spring		1			
10	0000 9614 627	Plate		1			
11	517 053	Circlip	30x1.2	1			
12	610 840	O-ring	49x3	1			
13	0000 2316 043	Control piston		1			
14	0000 9242 013	Locking pin		1			
15	612 433	K-ring		1			
16	0000 2302 039	Housing		1			
17	705 799	Nipple		2			



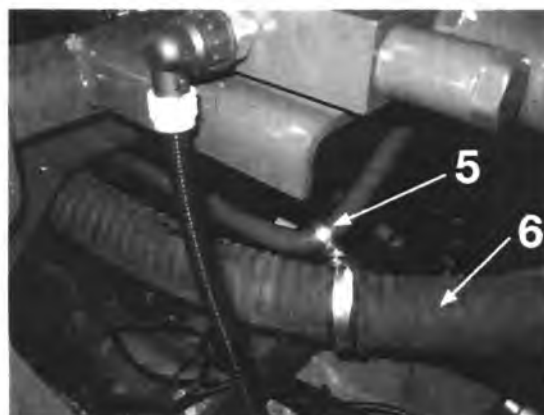
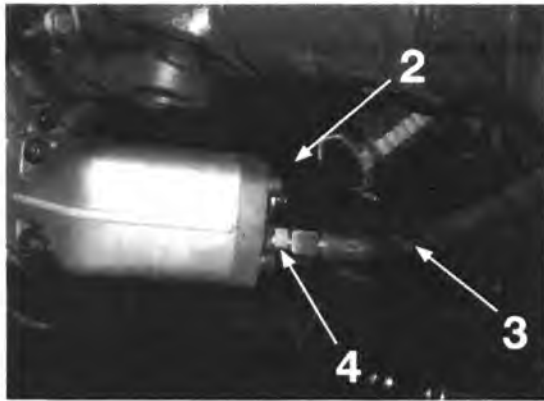
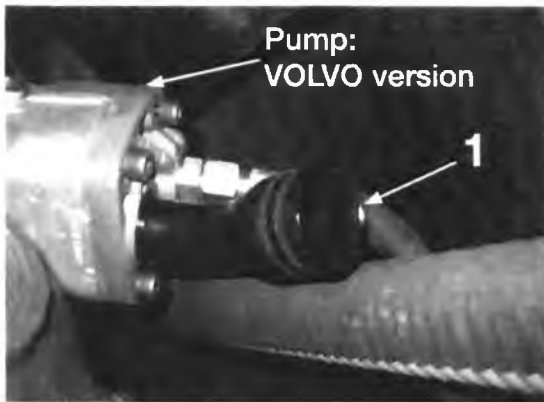
When ordering spare parts, include the numbers stamped on the cylinder.

It.	Part Number	Description	Qty.	It.	Part Number	Description	Qty.
1	1000 2028 055	Cap with eye	1				
2	1100 9302 017	Snap ring	Ø 120x6	1			
3	610 852	O-ring	117.0x4.0	1			
4	566 257	Spherical bearing	GE 50 ES	2			
5	569 034	Tapered grease nipple	H2 SFG 8x1	3			
6	524 233	Dowel pin	16x22	2			
7	2127 9430 006	Scraper ring	110/118x7	1			
8	1027 9420 006	Lip seal valve set	110/118x10	1			
9	4416 2201 000	Cylinder	Ø 134; 1,386 mm long	1			
10	2127 9430 005	Scraper ring	93/101x7	1			
11	1027 9420 005	Lip seal valve set	93/101x10	1			
12	4476 2266 000	Piston	Ø 110; 1,317 mm long	1			
13	2127 9430 014	Scraper ring	76/84x7	1			
14	1027 9420 014	Lip seal valve set	76/84x10	1			
15	4476 2265 000	Piston	Ø 93; 1,317 mm long	1			
16	1100 9302 006	Snap ring	98x5	1			
17	1000 2028 054	Rod head		1			
18	0000 9407 023	Packing		1			
19	4476 2264 100	Piston	Ø 76; 1,317 mm long	1			
20	1100 9302 005	Snap ring	82x5	1			
21	0000 9201 219	Screw plug		1			
22	600 114	Gasket	A 16x20	1			
	4416 9097 010	Customer service tool set		—			

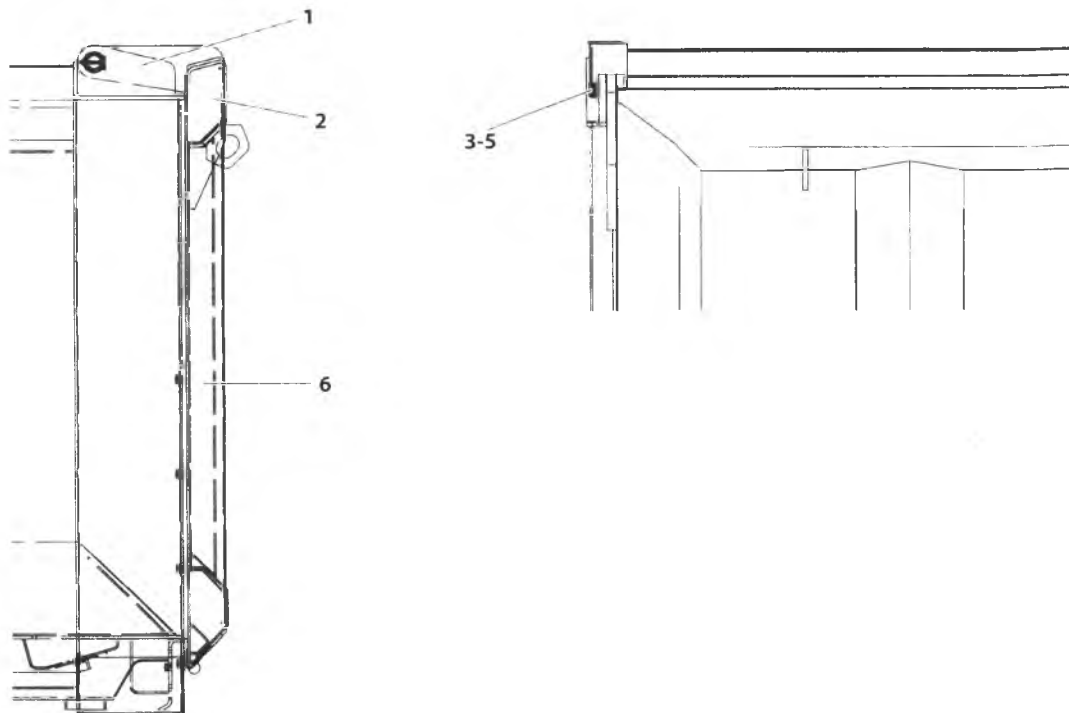


It.	Part Number	Description	Qty.	It.	Part Number	Description	Qty.
1	0295 2101 015	Casing	1	29	567 563	Inner race IR 45/50x42,5	1
2	440 997	Filister head screw M 14x50	4	30	603 380	Shaft seal 50/72x7	2
3	0000 9201 189	Plug	9	31	516 991	Circlip ESB 72	1
4	0000 9301 164	Helical spring	9	32	421 087	Hexagon head screw M 6x8	1
5	567 086	Ball 12,7 mm III	9	33	600 103	Gasket A 6x10	1
6	0000 2105 005	Valve seat	9		574 416	Loctite No. 222 (for Item 2)	1
7	514 494	Adjusting washer 16/22x1	9		0295 9097 004 n	Set of service tools	1
8	0000 9301 124	Helical spring	9				
9	0000 2138 004	Retaining ring	9				
10	0000 9301 190	Helical spring	9				
11	0265 2109 001	Suction valve	9				
12	0295 2107 002	Pump piston	9				
13	610 174	O-ring 112.0x3.0	1				
14	516 927	Snap ring SW 35	1				
15	563 754	Needle bearing NK 40/ 30	1				
16	566 942	Inner race IR 35/40x38	1				
17	516 841	Snap ring SB 50	1				
18	516 935	Snap ring SW 50	1				
19	566 946	Inner race IR 50/55x15	1				
20	566 945	Swash plate 55/112x14	1				
21	566 861	Trust roller cage 70/110x14	1				
22	566 867	Shaft washer 70/104,5x3	1				
23	0295 2102 009	Swash plate	1				
24	566 860	Thrust roller cage ARK 50/90x14 TN	1				
25	566 869	Casing washer 50/86x3	2				
26	0295 2114 014	Bearing	1				
27	0000 9405 000	Packing	1				
28	568 330	Needle bearing HK 50/62x22 F	1				

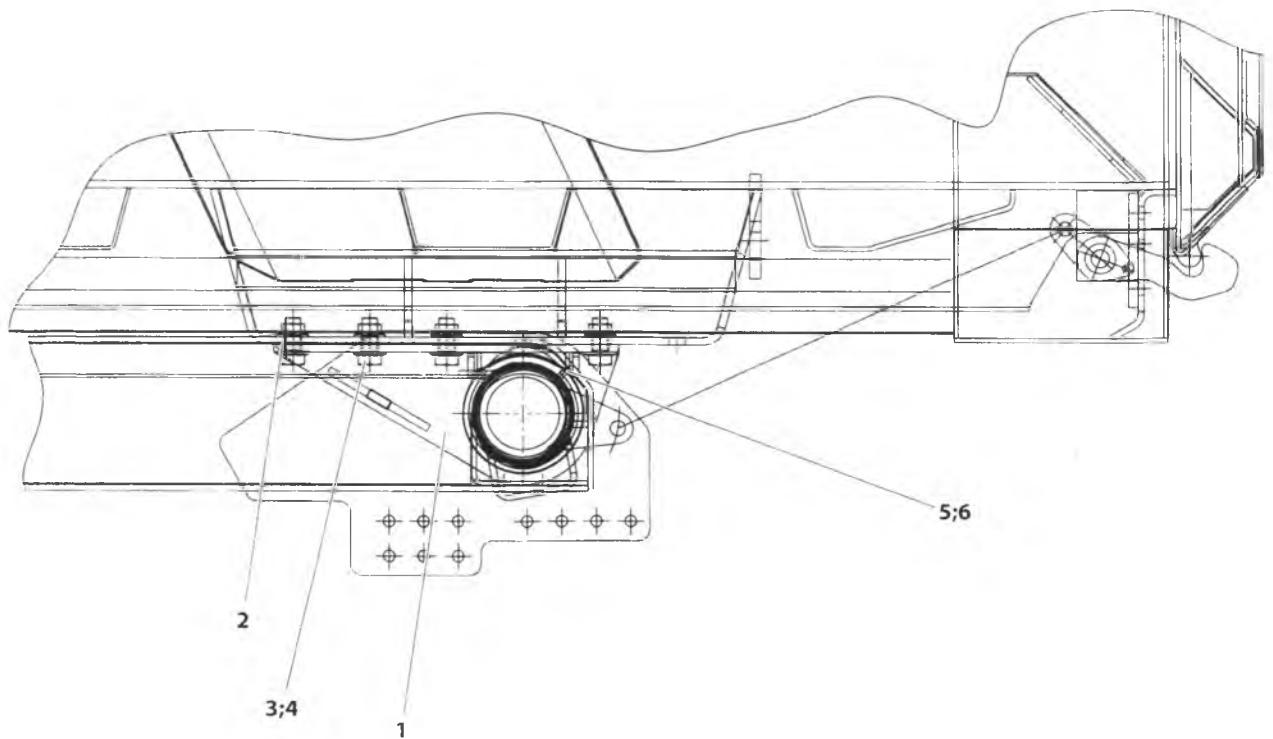




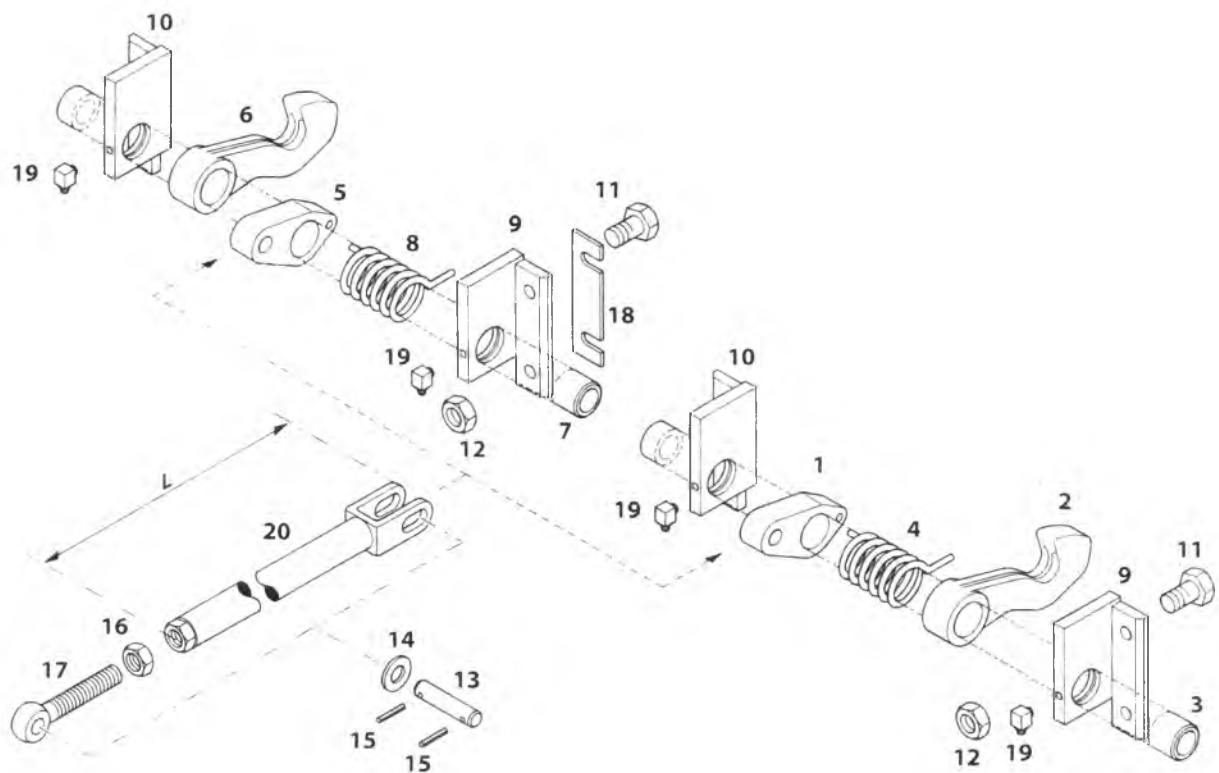
It.	Part Number	Description		Qty.
1	700 789	Hose sleeve 45°	2": 50 mm	1
2	573 721	Hose clamp	S 62/20	2
3	0000 9910 260	Pressure hose 16	650 mm lg.	1
4	703 057	Double threaded union R 3/4	M 30x2	1
5	0000 0123 469	Hose clamp		2
6	615 637	Suction hose	DN 50; 1.850 mm long (non-freezing down to -40°C)	1



It.	Part Number	Description	Qty.	It.	Part Number	Description	Qty.
1	0000 1237 235	Eye bearing	4				
2	0000 1026 452	Eye bearing	2				
3	0000 9241 294	Pin	2				
4	510 818	Plate	40 St 2				
5	525 088	Split pin	8x56 2				
Please specify separately when ordering spare parts!							
6	1000 1031 414	Tailgate	1				



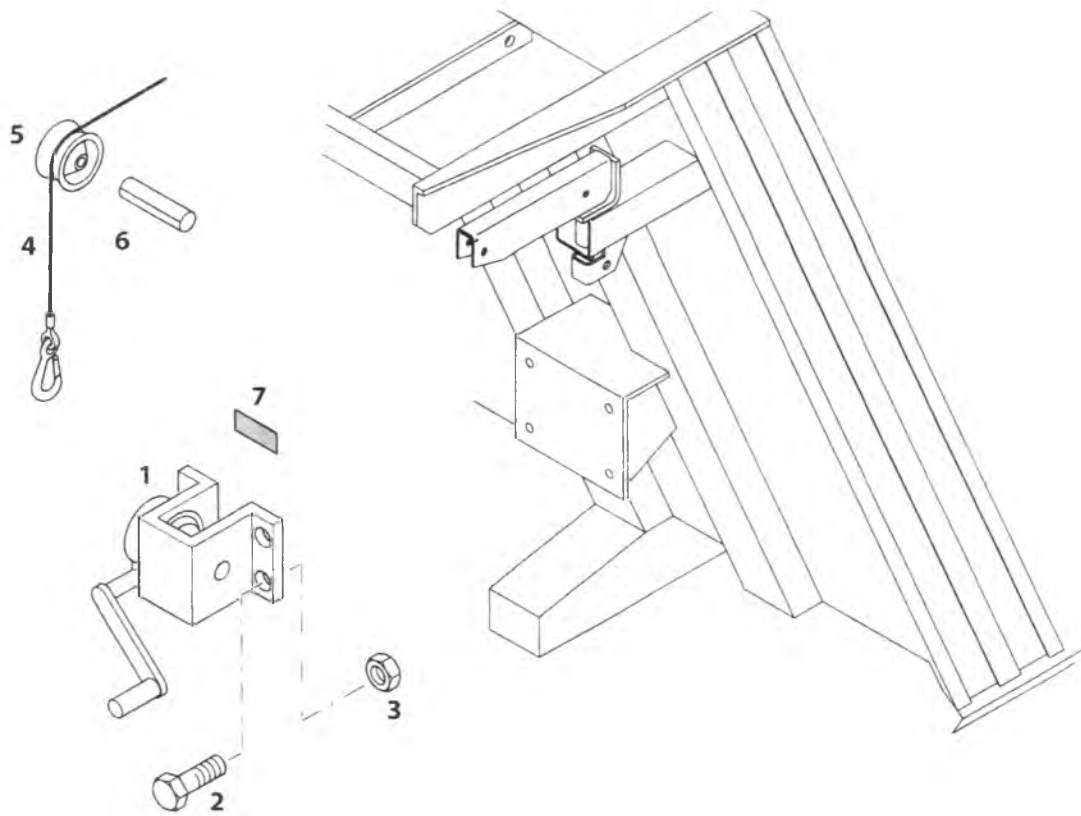
It.	Part Number	Description	Qty.	It.	Part Number	Description	Qty.
1	0364 1034 055	Pivot bearing, left	1				
	0364 1034 056	Pivot bearing, right	1				
		as required:					
2	0000 1135 108	Spacer plate	2 mm thick	–			
	0000 1135 109	Spacer plate	4 mm thick	–			
3	435 064	Hexagon head bolt	M 20x1.5x55	16			
4	509 999	Hexagon nut	M 20x1.5	16			
5	569 037	Tapered grease nipple	H3 SFG 8x1	2			
6	573 525	Protective cap		2			



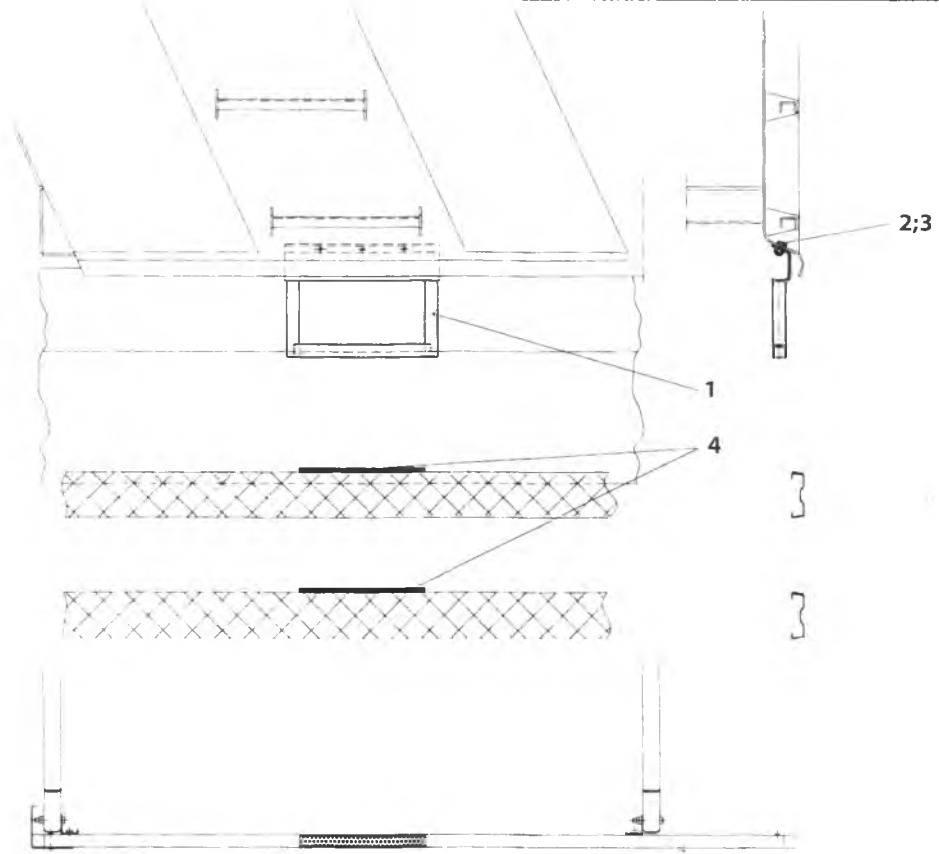
It.	Part Number	Description	Qty.	It.	Part Number	Description	Qty.
	0000 1085 036	Claw, left, complete	1				
1	0000 1243 034	Lever	1				
2	0000 1233 040	Claw	1				
3	0000 1249 294	Shaft	1				
4	0000 9304 018	Spiral spring	1				
	0000 1085 037	Claw, right, complete	1				
5	0000 1243 034	Lever	1				
6	0000 1233 040	Claw	1				
7	0000 1249 295	Shaft	1				
8	0000 9304 018	Spiral spring	1				
9	0000 1034 198	Bearing, left	2				
10	0000 1034 199	Bearing, right	2				
11	433 599	Hexagon head bolt	M 14x1.5x40	8			
12	501 727	Lock nut	VM 14x1.5	8			
13	543 246	Pin		4			
14	510 017	Plate	19 St	8			
15	523 853	Dowel pin	5x32	8			
16	500 614	Hexagon nut	M 20	2			
17	0000 9224 007	Eye bolt		2			
18	0000 1174 034	Shim		*			
19	569 037	Tapered grease nipple	H3 SFG 8x1	4			
		Please specify separately when ordering spare parts!					
20	0000 1089 ...	Claw lock operating rod	2				
		• see table					
		• as required					

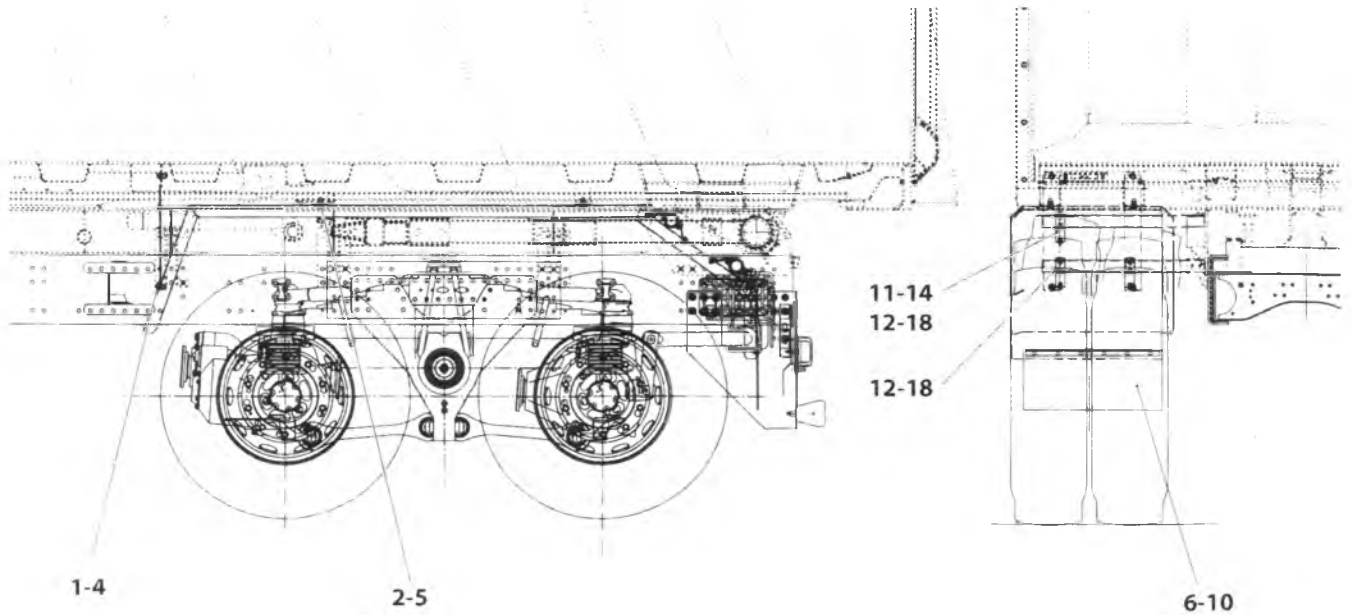
Item 20 (Claw lock operating rod)			
Spare part no.	L [mm]	Spare part no.	L [mm]
0000 1089 079	110	0000 1089 145	560
0000 1089 101	160	0000 1089 146	580
0000 1089 253	180	0000 1089 180	600
0000 1089 077	200	0000 1089 254	620
0000 1089 078	230	0000 1089 087	650
0000 1089 250	250	0000 1089 251	680
0000 1089 089	280	0000 1089 294	700
0000 1089 085	300	0000 1089 361	730
0000 1089 090	330	0000 1089 303	750
0000 1089 084	360	0000 1089 461	780
0000 1089 249	380	0000 1089 149	800
0000 1089 119	400	0000 1089 354	830
0000 1089 088	430	0000 1089 353	880
0000 1089 082	460	0000 1089 255	910
0000 1089 144	480	0000 1089 257	930
0000 1089 360	500	0000 1089 459	1000
0000 1089 143	530	0000 1089 147	1030



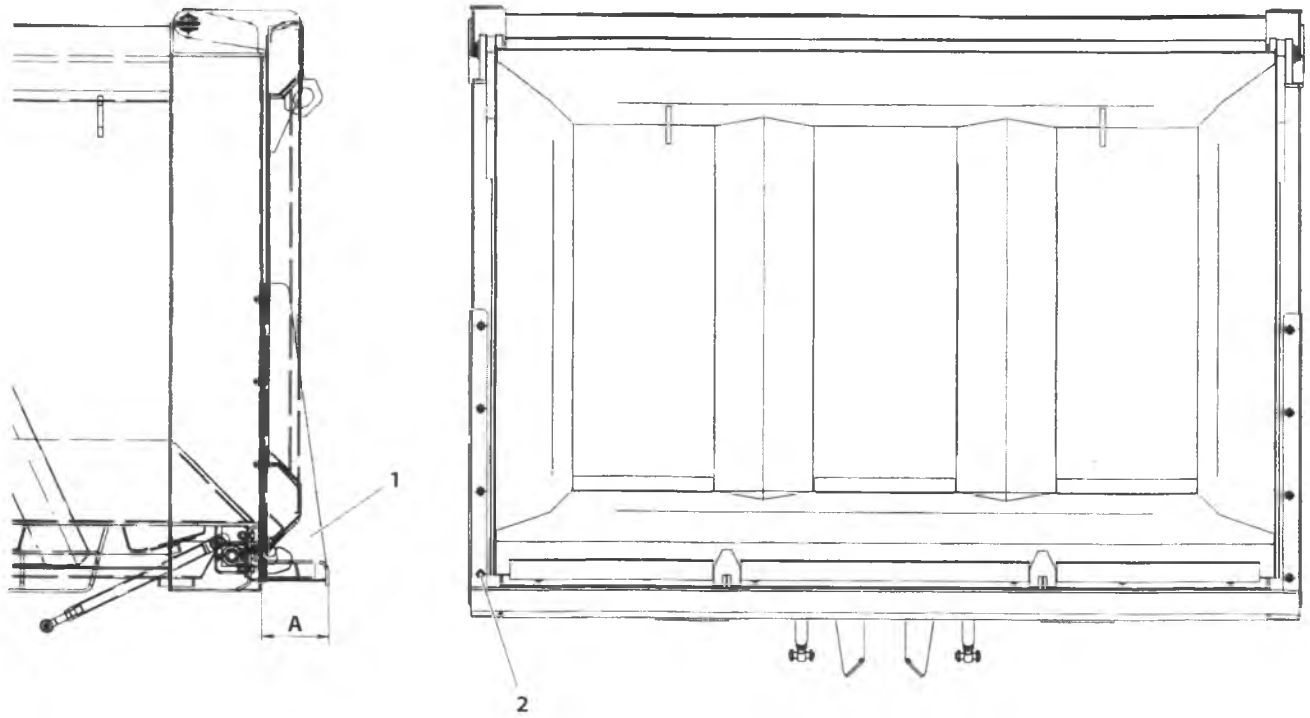
It.	Part Number	Description	Qty.	It.	Part Number	Description	Qty.
1	780 703	Lifting winch, complete	1				
2	421 142	Hexagon head bolt	M 10x20	4			
3	501 710	Lock nut	VM 10	4			
4	0000 9053 093	Cable		1			
5	0000 9701 039	Cable pulley		4			
6	524 214	Dowel pin	12x50	4			
7	1000 1232 225	Data plate		1			



It.	Part Number	Description	Qty.	It.	Part Number	Description	Qty.
1	0000 9078 082	Stirrup, cpl.	1				
2	433 564	Hexagon head bolt	M 12x1.5x25	3			
3	501 726	Lock nut	VM 12x1.5	3			
4	0000 5424 021	Non-slip surface	2				



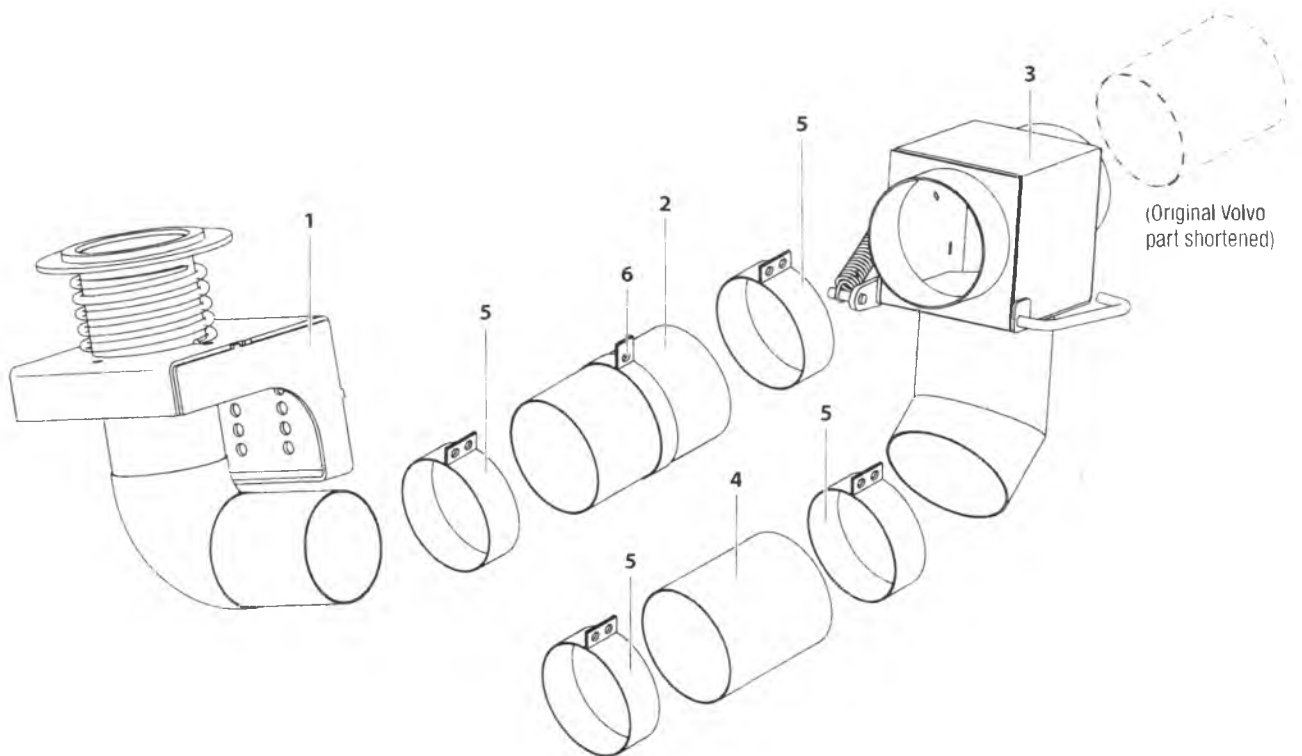
It.	Part Number	Description	Qty.	It.	Part Number	Description	Qty.
1	0000 1907 215	Strip	4				
2	425 711	Self-locking screw	M 14x1.5x35	16			
3	501 727	Lock nut	VM 14x1.5	16			
4	510 015	Washer	15 St	16			
5	0000 1180 975	Steel mud guard	2				
6	0000 1180 972	Steel mud guard, left	1				
	0000 1180 973	Steel mud guard, right	1				
7	0000 1180 547	Mud flaps	2				
8	0000 1162 001	Sheet metal strip	2				
9	421 093	Hexagon head bolt	M 6x20	2			
10	506 312	Self-locking screw	M 6	2			
11	0000 1039 298	Mounting of mud guard tube	2				
	0000 1055 601	Tube	alternatively at VOLVO 6x6	2			
12	780 493	Strap	6				
13	780 492	Double strap	6				
14	421 144	Hexagon head bolt	M 10x25	32			
15	421 146	Hexagon head bolt	M 10x30	32			
16	501 710	Clamping nut	M 10	12			
17	511 230	Washer	10.5-St	12			
18	513 911	Spring ring		12			



It.	Part Number	Description	Qty.	It.	Part Number	Description	Qty.
1	0000 1093	Scow-end	1				
2	425 950	Tensilock self-locking screw	M 12x30	12			
		• see table					

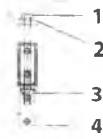
Mounting of scow-end	A [mm]	Scow-end (item 1)
0090 1093 014	200	0000 1093 473
0090 1093 015	300	0000 1093 474
0090 1093 016	400	0000 1093 475



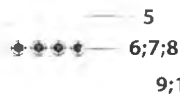


It.	Part Number	Description	Qty.	It.	Part Number	Description	Qty.
1	0000 1081 226	Heating connection	1				
2	0000 1117 814	Flexible tube	630 mm long	1			
3	0090 1059 015	Switch for exhaust gas	1				
4	0000 1117 813	Flexible tube	140 mm long	1			
additional mounting parts:							
5	582 324	Strap		4			
6	582 326	Strap		1			
	435 011	Hexagon head bolt	M 14x1.5x40	8			
	509 996	Lock nut	M 14	8			

Execution „1a“



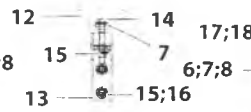
Execution „2a“



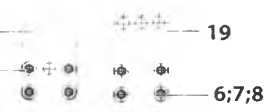
Execution „3a/3b/3c/3d“



Execution „4a“



Execution „5a/5b/5c“



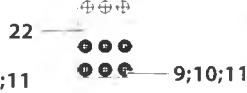
Execution „6a“



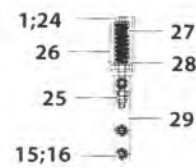
Execution „7a“



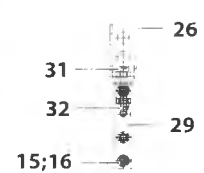
Execution „7b“



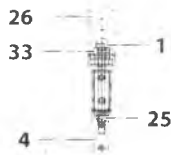
Execution „8“



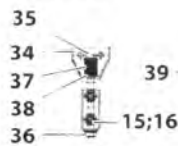
Execution „8a“



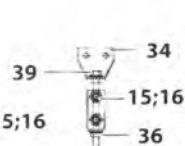
Execution „8b“



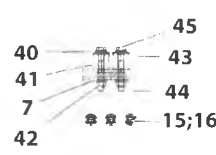
Execution „9“



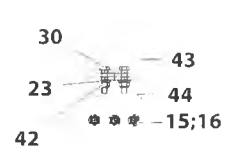
Execution „10“



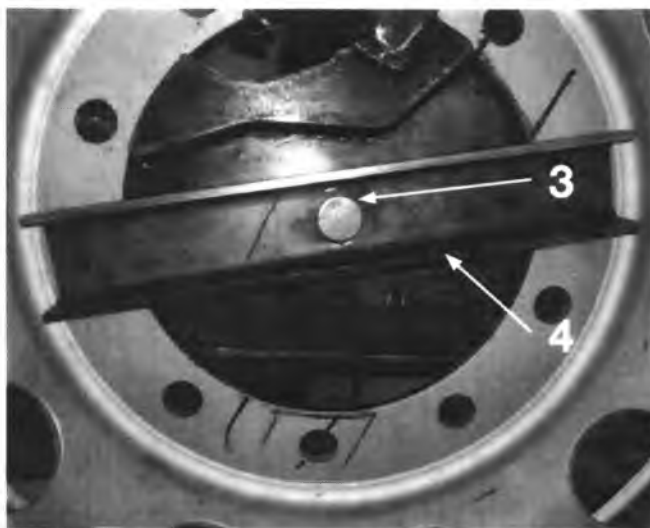
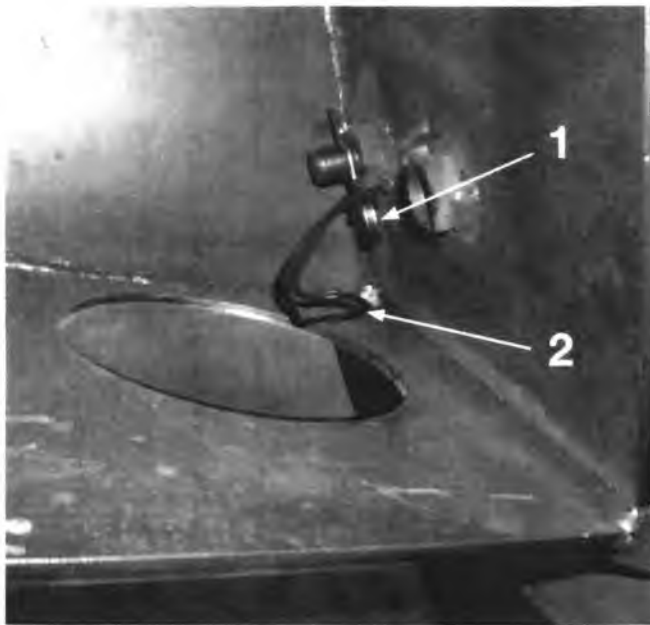
Execution „11“



Execution „12“



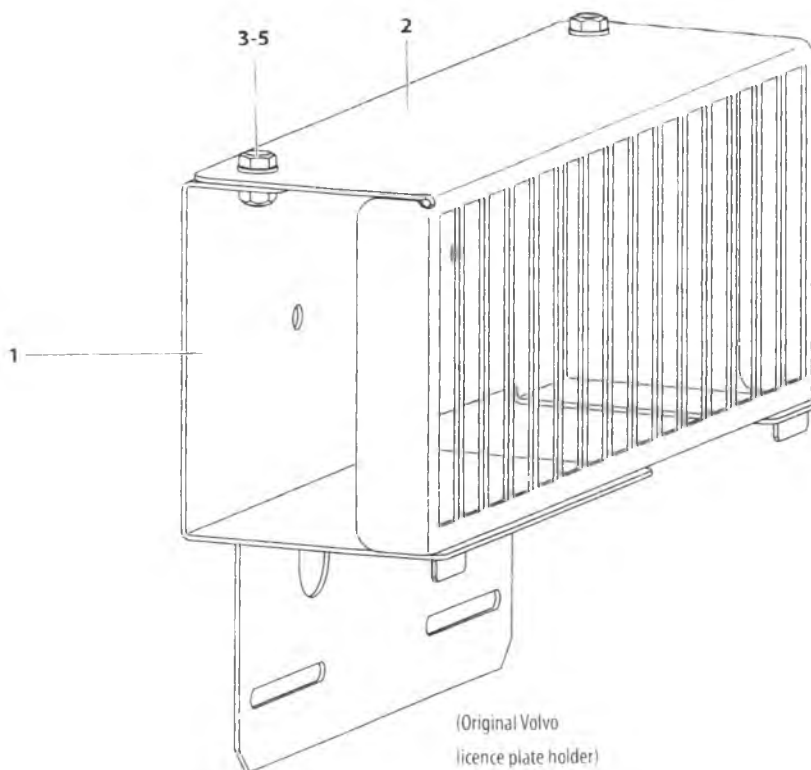
It.	Part Number	Description	Qty.	It.	Part Number	Description	Qty.		
1	411 189	Hexagon head bolt	M 16x220	3	23	513 320	Spring washer	2	
2	511 309	Washer 17		1	24	411 465	Hexagon head bolt	M 16x1.5x280	1
3	501 713	Hexagon nut	M 16	1	25	501 713	Hexagon nut	M 16	1
4	1000 1050 000	Console for VOLVO		1	26	1000 1050 001	Console for VOLVO		3
5	1000 1131 525	Fastening plate		1	27	0000 9301 301	Pressure spring		1
6	431 067	Hexagon head bolt	M 14x1.5x50	13	28	0000 9619 018	Spring washer		2
7	511 308	Washer 15		26	29	1000 1050 007	Console		2
8	501 790	Hexagon nut	M 14	13	30	411 145	Screw	14x60	2
9	435 101	Hexagon head bolt	M 16x60	13	31	430 604	Hexagon head bolt	M 16x1.5x110	1
10	511 820	Washer 16		13	32	501 728	Hexagon nut	M 16	1
11	501 540	Hexagon nut	M 16	13	33	511 309	Washer 17		5
12	0000 1107 372	Fastening angle		1	34	1000 1050 026	Console		2
13	0000 1050 877	Fastening console		1	35	435 041	Hexagon head bolt	M 16x1.5x200	1
14	435 020	Hexagon head bolt	M 14x1.5x100	1	36	509 997	Hexagon nut	M 16	2
15	509 996	Hexagon nut	M 14	18	37	512 769	Spring washer		16
16	435 013	Hexagon head bolt	M 14x1.5x50	18	38	510 016	Washer 17		1
17	0000 5133 299	Fastening plate		1	39	435 040	Hexagon head bolt	M 16x1.5x180	1
18	1000 1131 608	Fastening plate		1	40	511 810	Washer		2
19	1000 1131 630	Fastening plate		1	41	382 357	Elastomeric sleeve		2
20	1000 1131 550	Fastening plate		1	42	501 712	Mutter	M 14	1
		optionally:			43	0000 1132 854	Fastening angle		2
21	1000 1131 723	Fastening plate		1	44	0000 1132 855	Fastening angle		2
		optionally:			45	411 145	Screw	M 14x100	2
		optionally:							
22	1000 1131 720	Fastening plate		1					
		optionally:							
		optionally:							
		optionally:							



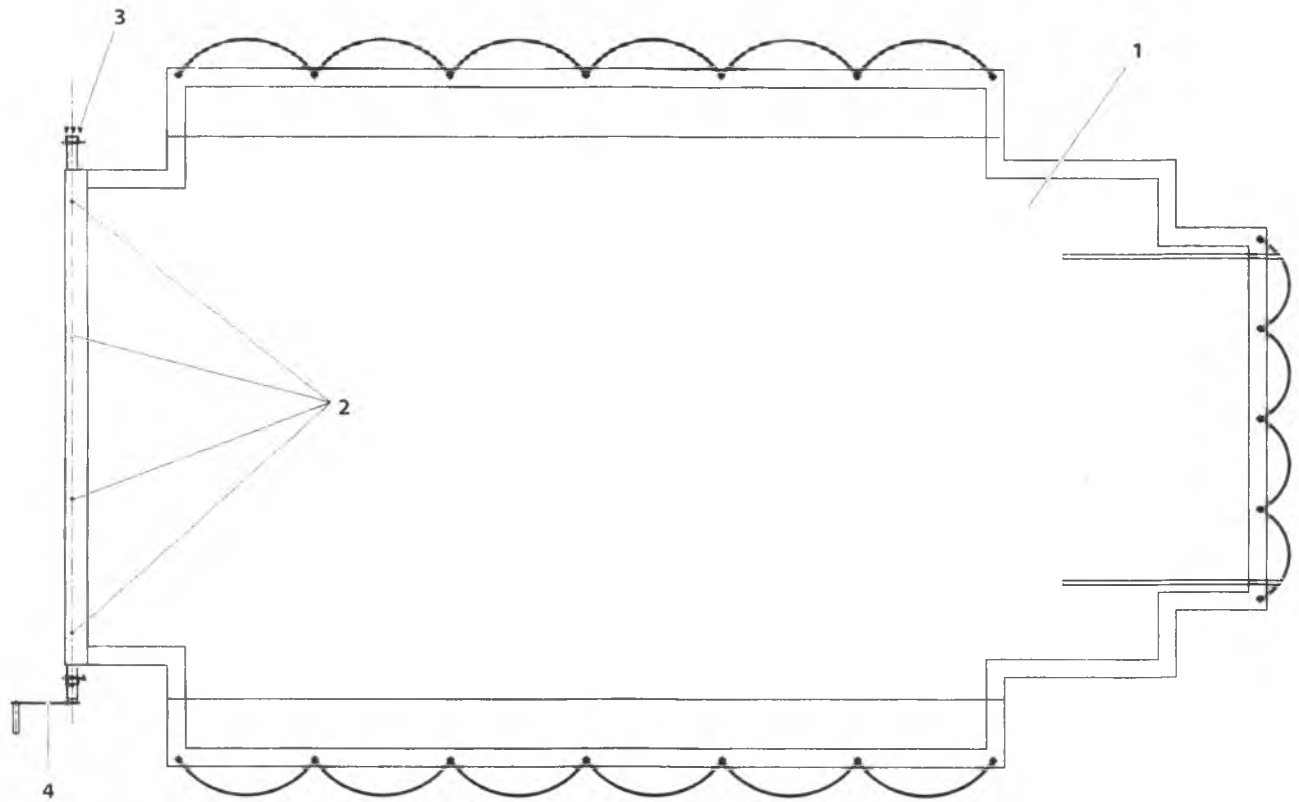
It.	Part Number	Description	Qty.
1	523 313	Spring keeper	1
2	0000 1121 212	Rope	1
3	0000 9220 079	Screw	1
4	2000 1914 031	U-Strap	1
5	1000 1050 273	Intermediate part (in the cab to thr tool kit to ad)	1

Hang the hooks as shown eccentrically.



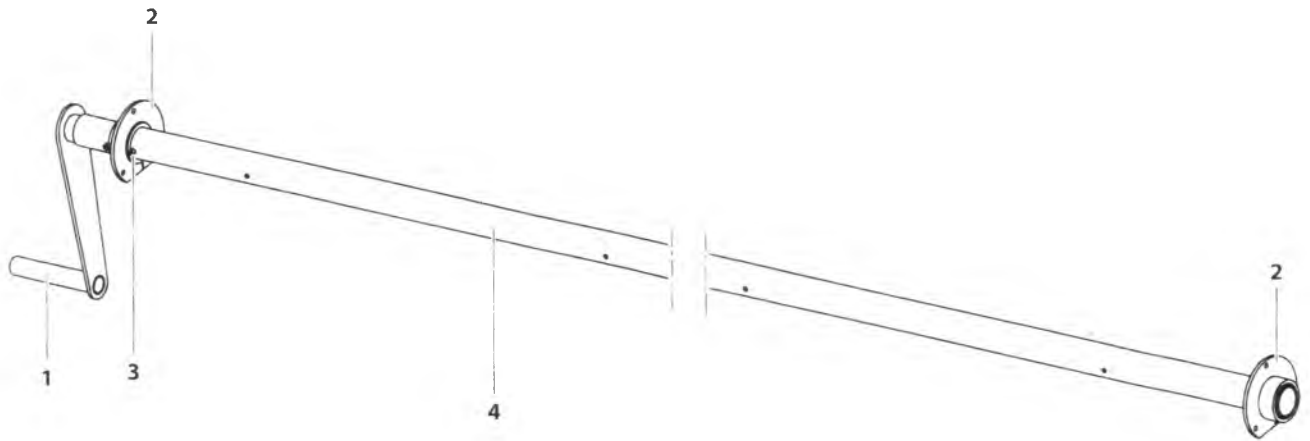


It.	Part Number	Description	Qty.	It.	Part Number	Description	Qty.
1	1000 1914 840	U-plate	1				
2	0000 1174 115	Cover	1				
3	421 114	Hexagon head bolt	M 8x16	2			
4	501 708	Hexagon nut	M 8	2			
5	510 011	Plate	8 St	2			



It.	Part Number	Description	Qty.	It.	Part Number	Description	Qty.
1	0000 1979 ...	Tarpaulin, separate	(see table)	1			
2	533 878	Blank rivet	5x16	4			
3	425 703	Tensilock self-locking screw	M 8x16	6			
4	0000 9051 052	Tarpaulin crank, complete		1			

Tarpaulin, complete	Tarpaulin, separate	Tipper body version	
		Floor length [mm]	Side wall height [mm]
0000 9079 050	0000 1979 000	4650	1300
0000 9079 051	0000 1979 001	4800	1400
0000 9079 052	0000 1979 002	4500	1500
0000 9079 053	0000 1979 003	4800	1500
0000 9079 054	0000 1979 004	5900	1350
0000 9079 079	0000 1979 029	5400	1500



It.	Part Number	Description	Qty.	It.	Part Number	Description	Qty.
1	0000 9051 051	Crank handle for tarpaulin crank	1				
2	0000 1034 928	Bearing for tarpaulin crank	2				
3	524 088	Dowel pin	8x55	1			
4	0000 1117 843	Tube	1				