



Spare Parts Lists

Rear tipper

VOLVO

FM 400 8x4 / LIEH1-FHS / 4.60 + 1.37 M

Edition: February 2013

No. 0026 0115 070

Contents

Designation	Spare parts lists	Page
Notes on ordering spare parts.....		3
5 piston telescopic ram type 4474/2.....	4474 2021 002.....	4
5 piston telescopic ram type 4475/3.....	4475 2021 003.....	5
5 piston telescopic ram type 4475/11, non-freezing down.....	4475 2021 011.....	6
5 piston telescopic ram type 4475/13, non-freezing down.....	4475 2021 013.....	7
9 piston axial pump type 296/1.....	0296 2001 001.....	8
9 piston axial pump type 296/4, non-freezing down.....	0296 2001 004.....	9
Control valve type 501/221, non-freezing down to -45° C.....	0501 2040 221 c.....	10
Oil tank type 901/409.....	0901 2060 409.....	11
T-piece with shut-off device, type 911/22, non-freezing down to -40° C.....	0911 2062 022.....	12
T-piece with shut-off device, type 911/23, non-freezing down to -40° C.....	0911 2062 023.....	13
Parts for feed and return flow lines Ø 20, suction line Ø 40 for 1-circuit pump types 295 and 296 with spiral hose.....	0000 0321 105.....	14
Subframe attachment for VOLVO Chassis.....	0026 1099 004.....	15
Installing heating connection.....	0090 1081 112/1.....	16
Installing heating connection.....	0090 1081 112/2.....	17
Installing heating connection.....	0090 1081 112/3.....	18
Installing heating connection.....	0090 1081 112/4.....	19
Installing heating connection.....	0090 1081 112/5.....	20
Mounting of body bearing.....	2000 1099 041.....	21
Mounting of lateral protection device SSV type 464.....	0000 1092 464.....	22
Mounting of rise over lateral protection device.....	0090 9078 058.....	23
Mounting of protective roof, without cutout press bearing.....	0090 1073 132 – 151.....	24
Mounting of body guidance and fastener consoles.....	1000 1099 974.....	25
Rubber pad.....	0000 1119 119 – 121.....	26
Locking device for external tailgate.....	1000 1067 523 – 528.....	27
Locking device for internal tailgate.....	1000 1067 529 – 534.....	28
Protective cover mounting.....	1000 1099 900.....	29
Longitudinal roll-up tarpaulin with crank.....	0000 9079 050 – 054/079.....	30

Notes on ordering spare parts

Please quote the following information when ordering spare parts:

1. Order number (see data plate).
2. Name and number of the part according to the spare parts list (with parts for the hydraulic pump and hydraulic cylinder, indicate the engraved type and **serial number** as well).
3. Information from the data plate mounted in front to the left/right of the hydraulic cylinder bearing or in front to the left on the loading platform.
4. Vehicle type
5. For parts that have no diagram number in the spare parts list (for example, the arms), indicate the number stamped on the parts.

We undertake our guarantee as part of our delivery conditions.

Use only original MEILLER spare parts!

As we make every effort to continuously improve our products, your rear tipper may possess new features which could not be included in this manual before it went to print.

Spare parts can be ordered at the MEILLER plant in Munich:

Germany

Phone		(089) 1487-1111
Customer name	A - D	1716
	E - H	1757
	I - M	1597
	N - R	1782
	S	1713
	T - Z	1779
Collection:	A - Z	1596
other phone numbers		1714 / 1717 / 2400

Export

Phone + 49 89 1487 - 1719/1759

Fax

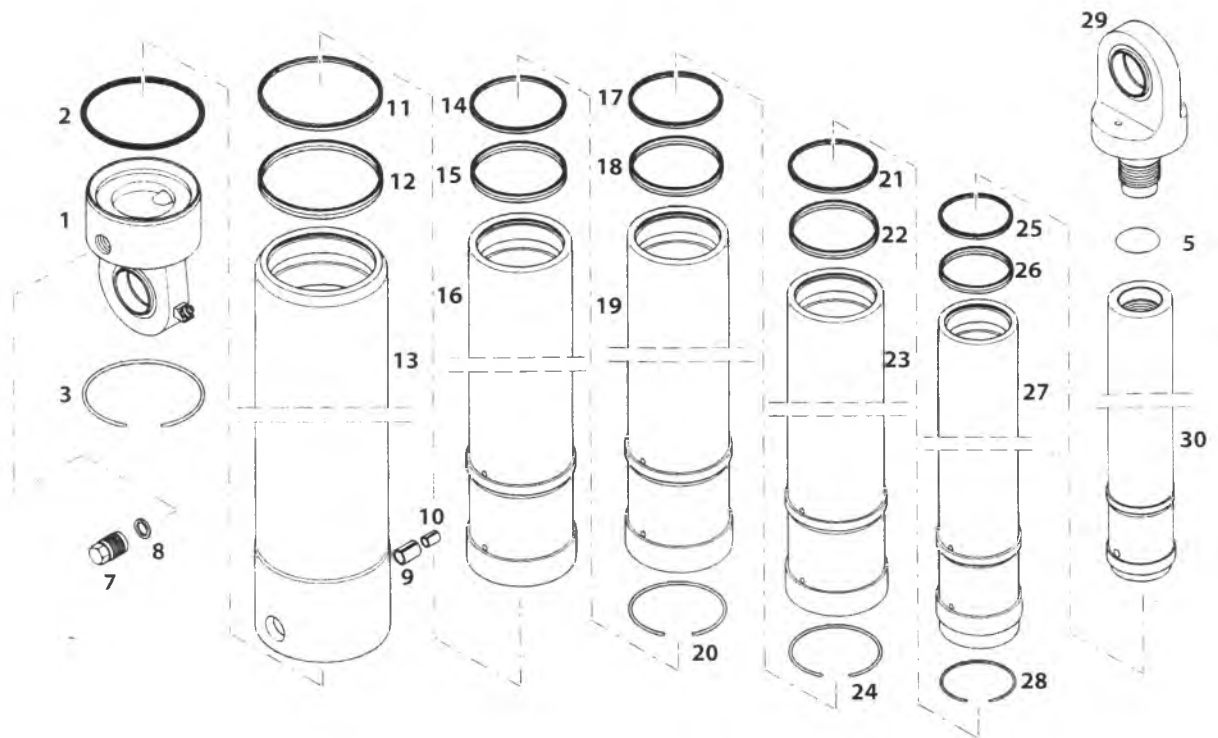
Germany + 49 89 1487 - 1400
Export + 49 89 1487 - 1400

E-mail

ersatzteile@meiller.com
spare.parts@meiller.com

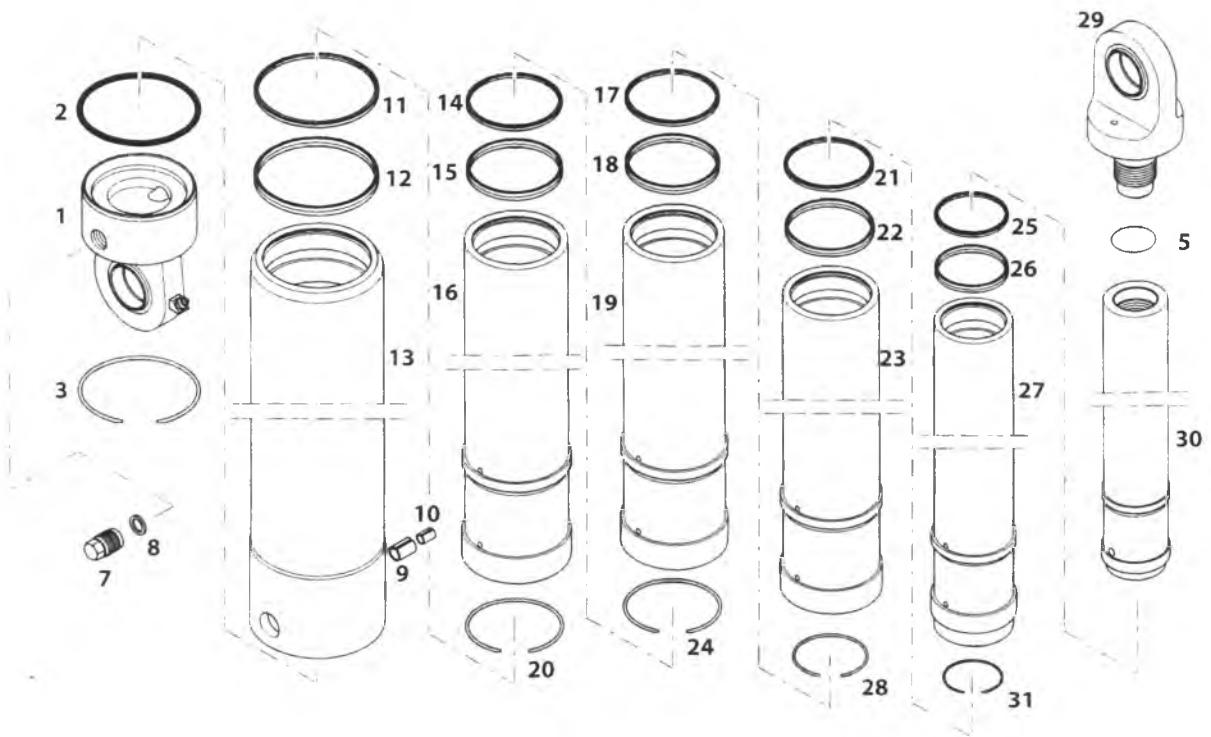
And at the following:

MEILLER Appointed Dealers
MEILLER Service Workshops



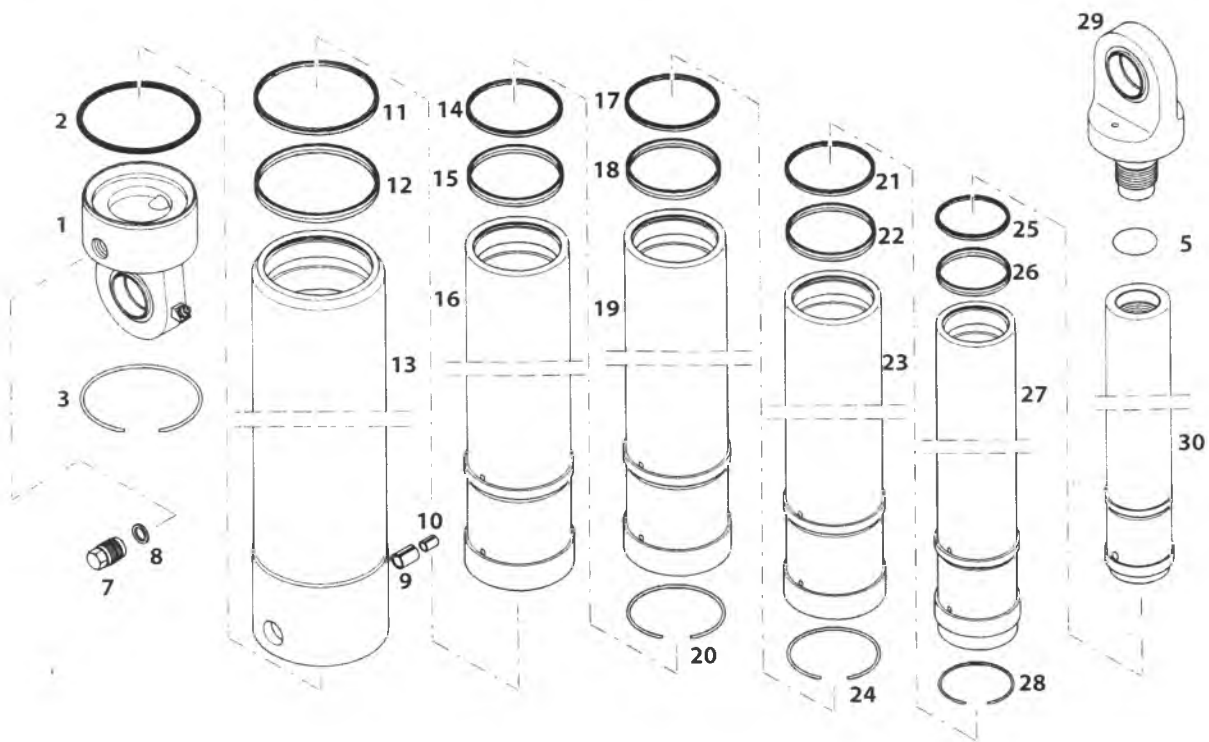
When ordering spare parts, include the number stamped on the cylinder.

It.	Part Number	Description	Qty.	It.	Part Number	Description	Qty.
1	2000 2028 045	Cap with eye	1	29	2000 2028 046	Rod head	1
2	610 218	O ring	156.0x6.0	30	4473 2264 100	Piston	Ø 76; 907 mm lg.
3	1100 9302 019	Snap ring	Ø 180x6		4474 9097 002	Customer service tool set	
5	0000 9407 023	Packing	1				
7	0000 9201 122	Screw plug	1				
8	600 167	Gasket	A 18x24x3				
9	524 233	Dowel pin	16x22				
10	524 093	Dowel pin	10x24				
11	2120 9430 008	Scraper ring	151/159x7				
12	1020 9420 008	Lip seal valve set	151/159x10				
13	4474 2201 000	Cylinder	Ø 176; 1037 mm lg.				
14	2120 9430 007	Scraper ring	129/137x7				
15	1020 9420 007	Lip seal valve set	129/137x10				
16	4474 2268 000	Piston	Ø 151; 1037 mm lg.				
17	2120 9430 006	Scraper ring	110/118x7				
18	1020 9420 006	Lip seal valve set	110/118x10				
19	4474 2267 000	Piston	Ø 129; 1037 mm lg.				
20	1100 9302 008	Snap ring	140x5				
21	2120 9430 005	Scraper ring	93/101x7				
22	1020 9420 005	Lip seal valve set	93/101x10				
23	4474 2266 000	Piston	Ø 110; 1037 mm lg.				
24	1100 9302 007	Snap ring	117x5				
25	2120 9430 014	Scraper ring	76/84x7				
26	1020 9420 014	Lip seal valve set	76/84x10				
27	4474 2265 000	Piston	Ø 93; 1037 mm lg.				
28	1100 9302 006	Snap ring	98x5				



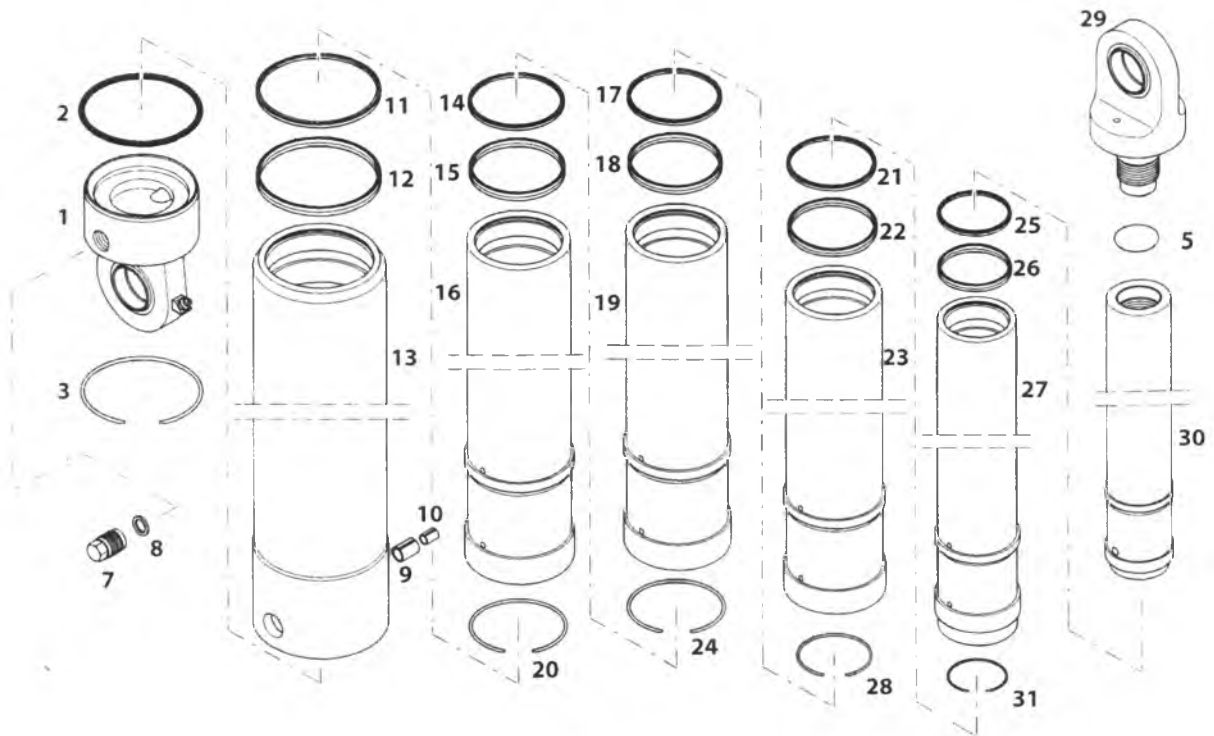
When ordering spare parts, include the number stamped on the cylinder.

It.	Part Number	Description	Qty.	It.	Part Number	Description	Qty.
1	2000 2028 045	Cap with eye	1	29	2000 2028 046	Rod head	1
2	610 218	O-ring	156.0x6.0	30	4472 2264 100	Piston	Ø 76; 787 mm lg. 1
3	1100 9302 019	Snap ring	Ø 180x6		4475 9097 003	Customer service tool set	1
5	0000 9407 023	Packing					
7	0000 9201 122	Screw plug					
8	600 167	Gasket	A 18x24x3				
9	524 233	Dowel pin	16x22				
10	524 093	Dowel pin	10x24				
11	2120 9430 008	Scraper ring	151/159x7				
12	1020 9420 008	Lip seal valve set	151/159x10				
13	4475 2201 000	Cylinder	Ø 176; 1245 mm lg.				
14	2120 9430 007	Scraper ring	129/137x7				
15	1020 9420 007	Lip seal valve set	129/137x10				
16	4475 2268 000	Piston	Ø 151; 1184 mm lg.				
17	2120 9430 006	Scraper ring	110/118x7				
18	1020 9420 006	Lip seal valve set	110/118x10				
19	4475 2267 000	Piston	Ø 129; 1184 mm lg.				
20	1100 9302 008	Snap ring	140x5				
21	2120 9430 005	Scraper ring	93/101x7				
22	1020 9420 005	Lip seal valve set	93/101x10				
23	4475 2266 000	Piston	Ø 110; 1184 mm lg.				
24	1100 9302 007	Snap ring	117x5				
25	2120 9430 014	Scraper ring	76/84x7				
26	1020 9420 014	Lip seal valve set	76/84x10				
27	4475 2265 000	Piston	Ø 93; 1184 mm lg.				
28	1100 9302 006	Snap ring	98x5				



When ordering spare parts, include the number stamped on the cylinder.

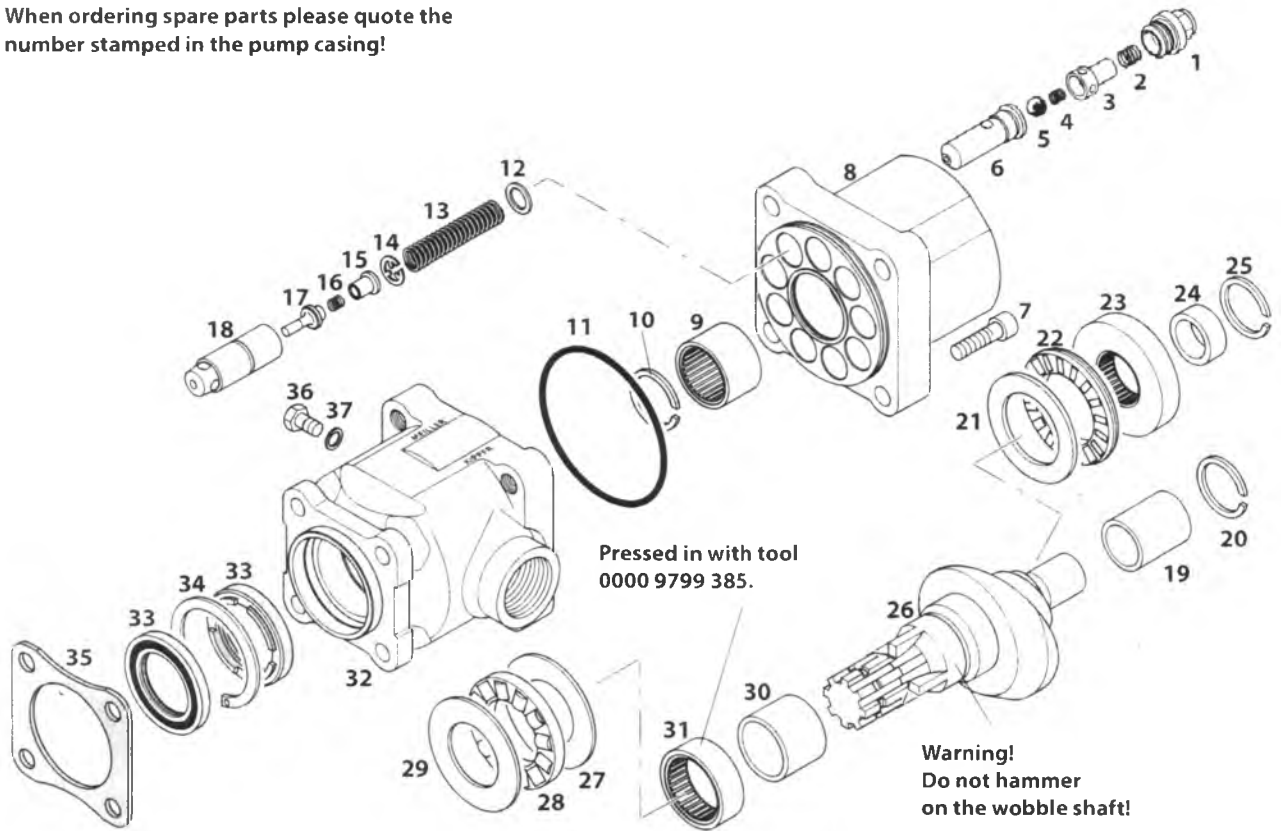
It.	Part Number	Description	Qty.	It.	Part Number	Description	Qty.	
1	2000 2028 045	Cap with eye	1	29	2000 2028 046	Rod head	1	
2	610 871	O-ring	153.0x6.0	1	30	4474 2264 100	Piston	Ø 76; 1037 mm lq.
3	1100 9302 019	Snap ring	Ø 180x6	1		4475 9097 011	Customer service tool set	
5	0000 9407 023	Packing		1				
7	0000 9201 122	Screw plug		1				
8	600 167	Gasket	A 18x24x3	1				
9	524 233	Dowel pin	16x22	1				
10	524 093	Dowel pin	10x24	1				
11	2127 9430 008	Scraper ring	151/159x7	1				
12	1027 9420 008	Lip seal valve set	151/159x10	1				
13	4475 2201 000	Cylinder	Ø 176; 1245 mm lq.	1				
14	2127 9430 007	Scraper ring	129/137x7	1				
15	1027 9420 007	Lip seal valve set	129/137x10	1				
16	4475 2268 000	Piston	Ø 151; 1184 mm lq.	1				
17	2127 9430 006	Scraper ring	110/118x7	1				
18	1027 9420 006	Lip seal valve set	110/118x10	1				
19	4475 2267 000	Piston	Ø 129; 1184 mm lq.	1				
20	1100 9302 008	Snap ring	140x5	1				
21	2127 9430 005	Scraper ring	93/101x7	1				
22	1027 9420 005	Lip seal valve set	93/101x10	1				
23	4475 2266 000	Piston	Ø 110; 1184 mm lq.	1				
24	1100 9302 007	Snap ring	117x5	1				
25	2127 9430 014	Scraper ring	76/84x7	1				
26	1027 9420 014	Lip seal valve set	76/84x10	1				
27	4475 2265 000	Piston	Ø 93; 1184 mm lq.	1				
28	1100 9302 006	Snap ring	98x5	1				



When ordering spare parts, include the number stamped on the cylinder.

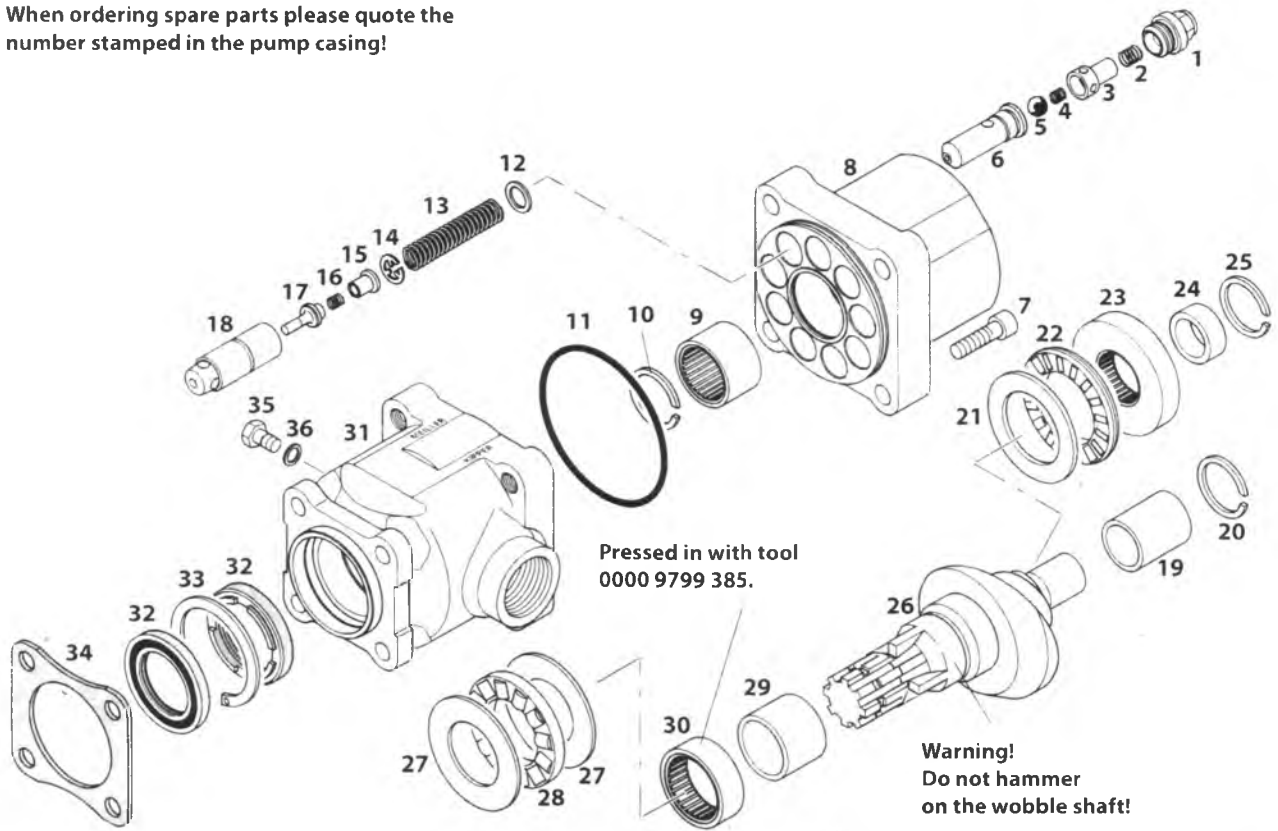
It.	Part Number	Description	Qty.	It.	Part Number	Description	Qty.
1	2000 2028 045	Cap with eye	1	29	2000 2028 046	Rod head	1
2	610 218	O-ring	156.0x6.0	30	4472 2264 100	Piston	Ø 76; 787 mm lg.
3	1100 9302 019	Snap ring	Ø 180x6		4475 9097 013	Customer service tool set	
5	0000 9407 023	Packing					
7	0000 9201 122	Screw plug					
8	600 167	Gasket	A 18x24x3				
9	524 233	Dowel pin	16x22				
10	524 093	Dowel pin	10x24				
11	2127 9430 008	Scraper ring	151/159x7				
12	1027 9420 008	Lip seal valve set	151/159x10				
13	4475 2201 000	Cylinder	Ø 176; 1245 mm lg.				
14	2127 9430 007	Scraper ring	129/137x7				
15	1027 9420 007	Lip seal valve set	129/137x10				
16	4475 2268 000	Piston	Ø 151; 1184 mm lg.				
17	2127 9430 006	Scraper ring	110/118x7				
18	1027 9420 006	Lip seal valve set	110/118x10				
19	4475 2267 000	Piston	Ø 129; 1184 mm lg.				
20	1100 9302 008	Snap ring	140x5				
21	2127 9430 005	Scraper ring	93/101x7				
22	1027 9420 005	Lip seal valve set	93/101x10				
23	4475 2266 000	Piston	Ø 110; 1184 mm lg.				
24	1100 9302 007	Snap ring	117x5				
25	2127 9430 014	Scraper ring	76/84x7				
26	1027 9420 014	Lip seal valve set	76/84x10				
27	4475 2265 000	Piston	Ø 93; 1184 mm lg.				
28	1100 9302 006	Snap ring	98x5				

When ordering spare parts please quote the number stamped in the pump casing!

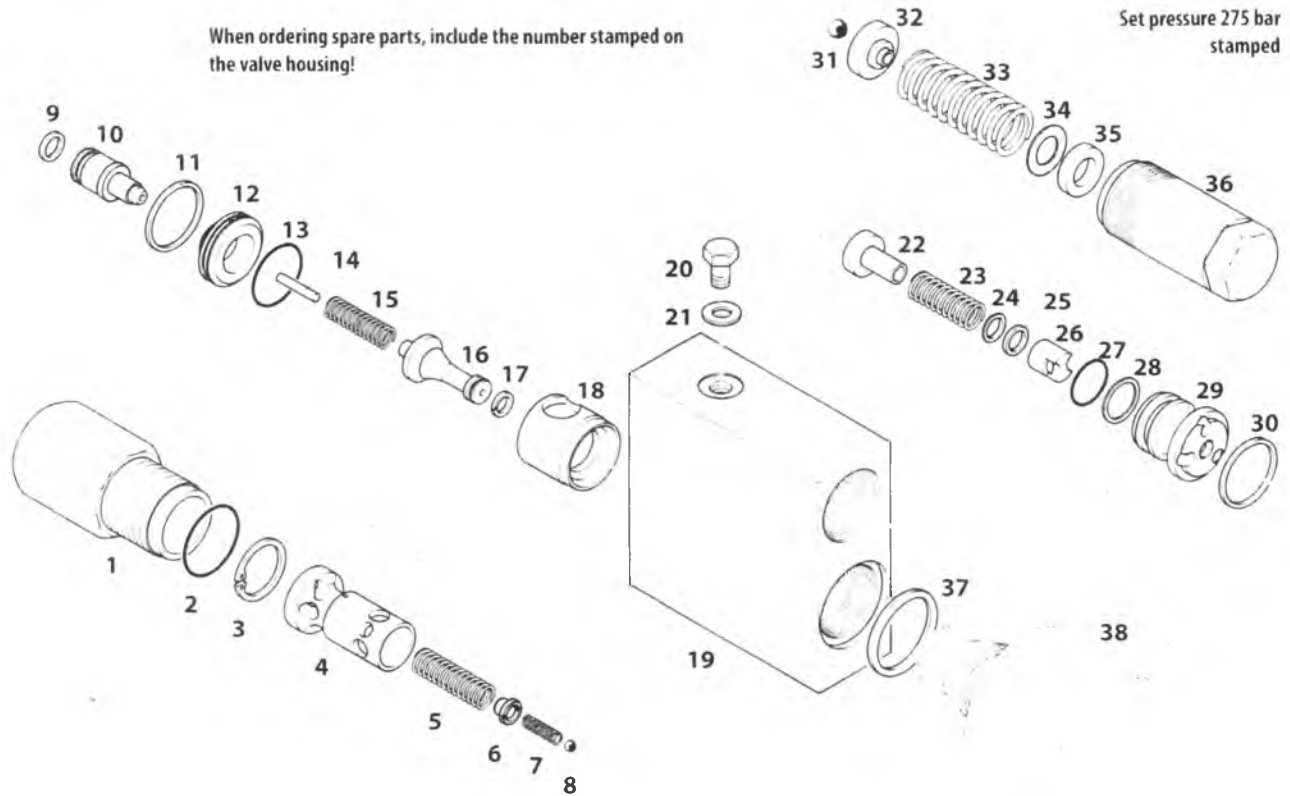


It.	Part Number	Description	Qty.	It.	Part Number	Description	Qty.
1	0000 9201 258	Plug	9	29	566 869	Casing washer 50x86x3	1
2	0000 9301 176	Helical spring	9	30	567 563	Inner race IR 45/50x42..5	1
3	0000 2139 011	Guidance	9	31	568 330	Needle bearing HK 50/62x22	1
4	0000 9301 268	Helical spring	9	32	0296 2114 000	Bearing	1
5	567 086	Ball 12.7 mm III	9	33	603 380	Shaft seal 50x72x7	2
6	0000 2105 014	Valve seat	9	34	516 991	Circlip ESB 72	1
7	440 997	Filister head screw M 14x50	4	35	0000 9405 000	Gasket	1
8	0295 2101 015	Casing	1	36	421 085	Hexagon head screw M 6x6	1
9	563 754	Needle bearing NK 40/30	1	37	600 103	Gasket A 6x10	1
10	516 841	Snap ring	1				
11	610 174	O ring 112.0x3.0	1				
12	514 494	Adjusting washer 16/22x1	9		0296 9097 001	Set of service tools	
13	0000 9301 124	Helical spring	9				
14	0000 2138 013	Retaining ring	9				
15	0000 2139 010	Guidance	9				
16	0000 9301 267	Helical spring	9				
17	0265 2109 004	Suction valve	9				
18	0296 2107 000	Pump piston	9				
19	566 942	Inner race 35x40x38	1				
20	516 927	Snap ring	1				
21	566 867	Shaft washer 70x104.5x3	1				
22	566 861	Trust roller cage ARK 70/110x14	1				
23	566 945	Swash plate 55x112x14	1				
24	566 946	Inner race 50x55x15	1				
25	516 935	Snap ring	1				
26	0296 2102 000	Wobble shaft	1				
27	566 866	Shaft washer 50x86x3	1				
28	566 860	Thrust roller cage ARK 50/90x14	1				

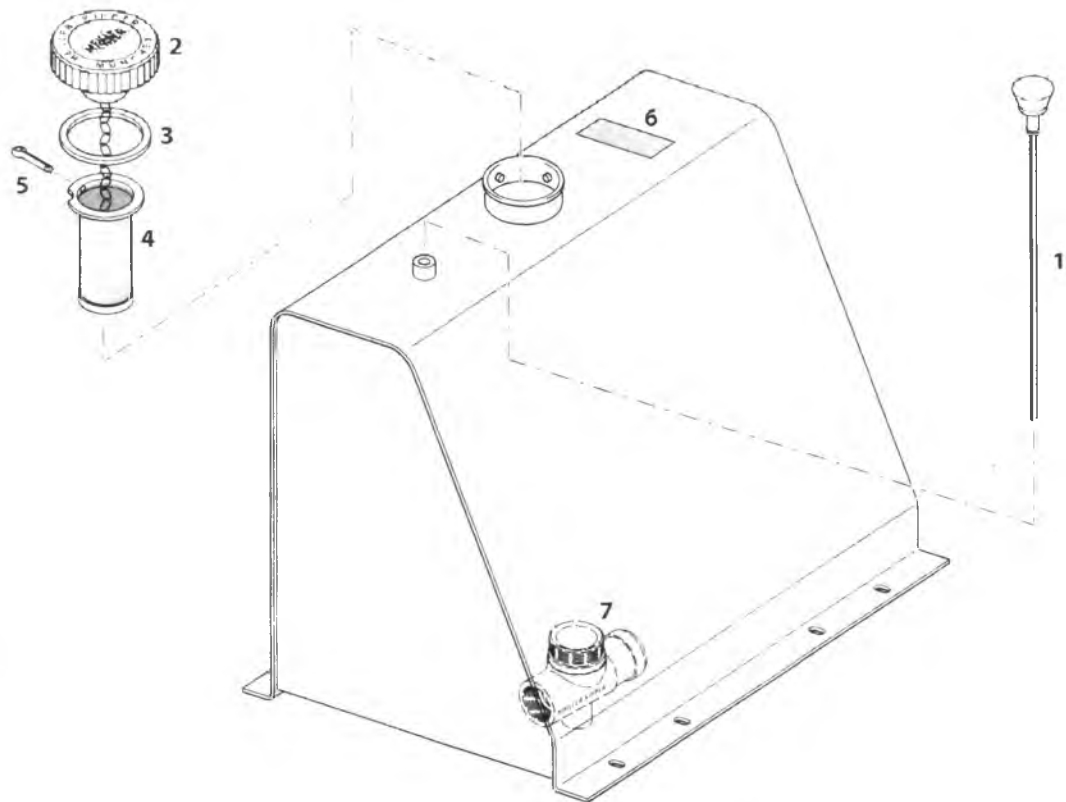
When ordering spare parts please quote the number stamped in the pump casing!



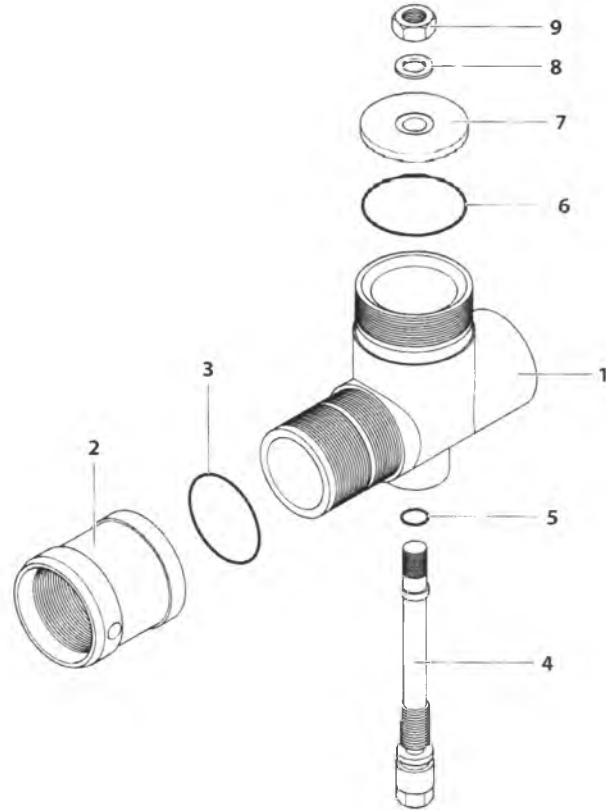
It.	Part Number	Description	Qty.	It.	Part Number	Description	Qty.
1	0000 9201 258	Plug	9	27	566 869	Casing washer	50x86x3
2	0000 9301 176	Helical spring	9	28	566 860	Thrust roller cage	ARK 50/90x14
3	0000 2139 011	Guidance	9	29	567 563	Inner race	IR 45/50x42,5
4	0000 9301 268	Helical spring	9	30	568 330	Needle bearing	HK 50/62x22
5	567 086	Ball	12.7 mm III	31	0296 2114 000	Bearing	
6	0000 2105 014	Valve seat	9	32	603 380	Shaft seal	50x72x7
7	440 997	Filister head screw	M 14x50	33	516 991	Circlip	ESB 72
8	0295 2101 015	Casing	1	34	0000 9405 000	Gasket	
9	563 754	Needle bearing	NK 40/30	35	421 085	Hexagon head screw	M 6x6
10	516 841	Snap ring	1	36	600 103	Gasket	A 6x10
11	610 850	O-ring	112.0x3.0				
12	514 494	Adjusting washer	16/22x1				
13	0000 9301 124	Helical spring	9		0296 9097 004	Set of service tools	
14	0000 2138 013	Retaining ring	9				
15	0000 2139 010	Guidance	9				
16	0000 9301 267	Helical spring	9				
17	0265 2109 004	Suction valve	9				
18	0296 2107 000	Pump piston	9				
19	566 942	Inner race	35x40x38				
20	516 927	Snap ring	1				
21	566 867	Shaft washer	70x104.5x3				
22	566 861	Trust roller cage	ARK 70/110x14				
23	566 945	Swash plate	55x112x14				
24	566 946	Inner race	50x55x15				
25	516 935	Snap ring	1				
26	0296 2102 000	Wobble shaft	1				



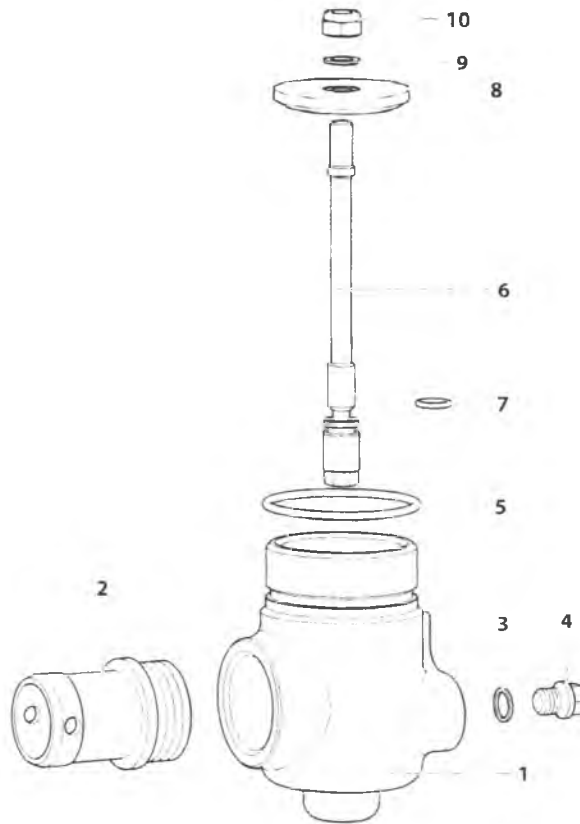
It.	Part Number	Description	Qty.	It.	Part Number	Description	Qty.
1	0000 9202 104	Guide screw	1	29	0000 2303 080	Valve seat	1
2	610 056	O-ring	32.0x4.5	30	0000 9401 048	Gasket	30x34
3	517 413	Circlip	IK 30	31	567 305	Ball	10 mm
4	0000 2319 031	Lead	1	32	0000 2305 048	Spring retainer	1
5	0000 9301 255	Pressure spring	1	33	702 281	Spring	1
6	0000 2305 060	Spring retainer	1	34	514 815	Washer	0.5 mm thick
7	0000 9301 023	Helical spring	1	35	0000 9614 533	Plate	1
8	567 012	Ball	6 mm III	36	0000 9201 238	Screw plug	1
9	604 006	Cylinder valve set	10x14x2	37	600 193	Gasket	A 36x42
10	0501 2307 014	Valve cone	1	38	0000 2052 068	Pneum. control valve operation, compl.	1
11	0000 9401 048	Gasket	2	0501 9097 221	Customer service tool set		
12	0000 2303 101	Valve seat	1				
13	610 820	O ring	29.0x3.0				
14	567 492	Needle coil	3x33.8				
15	0000 9301 001	Helical spring	1				
16	0000 2309 075	Valve pin	1				
17	0000 9407 005	Cylinder valve set	1				
18	0000 2303 085	Valve seat	1				
19	0501 2301 030	Valve housing	1				
20	433 529	Hexagon head bolt	M 10x1x10				
21	600 164	Gasket	A 10x16x1.5				
22	0000 2319 016	Lead	1				
23	0000 9301 238	Helical spring	1				
24	0000 9614 556	Plate	1				
25	612 352	Packing	1				
26	0000 2309 065	Valve pin	1				
26	610 818	O-ring	22.2x3.0	1			
28	612 500	Support ring	SRA 28-2.6	1			



It.	Part Number	Description	Qty.	It.	Part Number	Description	Qty.
1	0000 9085 044	Oil dip stick	1				
	0901 2063 012	Tank cap, cpl.	1				
2	0901 2063 011	Tank cap with item 4	1				
3	604 507	Gasket	1				
4	0901 2062 001	Oil strainer	1				
5	525 027	Cotter pin	1				
6	1000 1232 478	Plate	1				
7	0911 2062 013	T-piece type 911/13, cpl.	1				



It.	Part Number	Description	Qty.	It.	Part Number	Description	Qty.
1	0911 2610 010	Housing	1				
2	0000 9943 079	Hose sleeve	1				
3	604 544	Thread sealing gasket	M 42x1.5	1			
4	0911 2306 003	Valve stem	1				
5	610 811	O-ring	11.3x2.4	1			
6	610 834	O-ring	44.45x3.53	1			
7	0000 2307 108	Conical stop device	1				
8	600 164	Gasket	A 10x16x1.5	1			
9	501 408	Lock nut	VM 10	1			



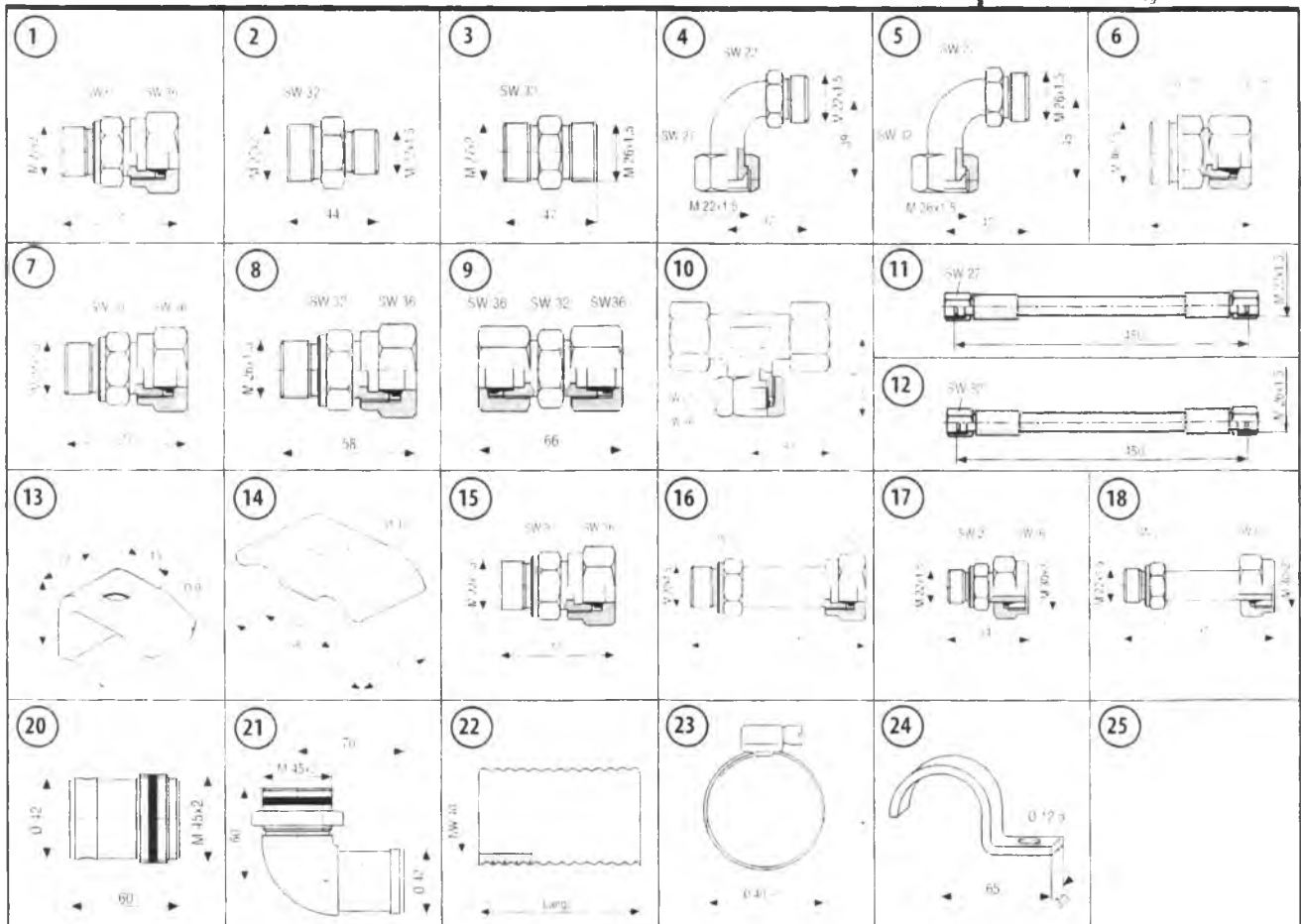
It.	Part Number	Description	Qty.	It.	Part Number	Description	Qty.
1	0911 2610 012	Housing	1				
2	0000 9068 104	Hose sleeve	1				
3	600 109	Gasket	A 12x15.5x1.5	1			
4	475 002	Plug	M 12x1.5	1			
5	610 844	O-ring	59.92x3.53	1			
6	0911 2306 006	Valve stem		1			
7	610 811	O-ring	11.3x2.4	1			
8	0000 2307 111	Conical stop device		1			
9	600 164	Gasket	A 10x16x1.5	1			
10	501 408	Lock nut	VM 10	1			



**Teile zur Druck- und Rücklaufleitung $\varnothing 20$, Saugleitung $\varnothing 40$
für 1-Kreis-Pumpe Typ 295 und 296 mit Spiralschlauch**
Parts for feed and return flow lines $\varnothing 20$, suction line $\varnothing 40$
for 1-circuit pump types 295 and 296 with spiral hose

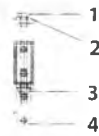
0000 0321 105

Ausgabe / Edition: 07. 1994



Pos./ lt.	Benennung / Designation	Gewicht/Stück Weight/Pcs.	Bestell-Nr. / Order no.
1	Einschraubverschraubung / Threaded union	0.25 kg	700 027
2	Doppelstutzen mit Dichtkante für Schlauchleitung / Double threaded union with tightening edge for hose line DN 12	0.14 kg	0000 9934 074
3	Doppelstutzen mit Dichtkante für Schlauchleitung / Double threaded union with tightening edge for hose line DN 16	0.15 kg	0000 9934 061
4	Rohrkrümmer 90° (in Verbindung mit Pos. 2) / 90° pipe manifold (in combination with item 2)	0.20 kg	701 185
5	Rohrkrümmer 90° (in Verbindung mit Pos. 3) / 90° pipe manifold (in combination with item 3)	0.25 kg	701 186
6	Gerade Einschraubverschraubung / Straight threaded union	0.35 kg	0000 9003 050
7	HD Schlauchanschluß (wie Pos. 15) / HP hose connection (as item 15)	0.23 kg	0000 9003 032
8	HD-Schlauchanschluß / HP hose connection	0.25 kg	0000 9069 031
9	Gerade-Verschraubung / Straight screwed fitting	0.22 kg	700 091
10	T-Verschraubung / T-screwed fitting	0.59 kg	700 221
11	Schlauchleitung / Hose line DN 12; 450 mm lg.	0.81 kg	0000 9910 045
12	Schlauchleitung / Hose line DN 16; 450 mm lg.	0.90 kg	0000 9910 060
13	Rohrschelle, einfach / Pipe clamp, simple	0.05 kg	0000 9620 021
14	Rohrschelle, doppelt / Pipe clamp, double	0.07 kg	380 853
15	Einschraubverschraubung / Threaded union	0.23 kg	0000 9003 032
16	Einschraubverschraubung / Threaded union	0.37 kg	0000 9003 049
17	Aufsteckstutzen / Threaded union	0.17 kg	0000 9069 021
18	Aufsteckstutzen / Threaded union	0.25 kg	0000 9069 022
19	Rohr / Pipe 20x2.5 (Länge bei Bestellung angeben! / specify length when ordering!)	1.07 kg/m	274 863
20	Schlauchstutzen, vollst. / Hose sleeve, compl.	0.15 kg	0000 9068 082
21	Schlauchverbindung / Hose connection	---	0000 9068 081
22	Spiralschlauch / Spiral hose line NW 40 (Länge bei Bestellung angeben! / specify length when ordering!)	---	615 543
23	Schlauchschelle / Pipe clamp $\varnothing 40 - 60$, 15 mm breit / wide	0.07 kg	573 873
24	Rohrschelle / Pipe clamp	0.17 kg	0000 9620 059
25			
26			

Execution „1a“



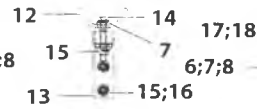
Execution „2a“



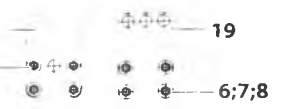
Execution „3a/3b/3c/3d“



Execution „4a“



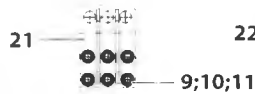
Execution „5a/5b/5c“



Execution „6a“



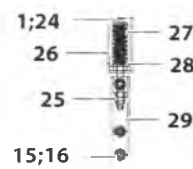
Execution „7a“



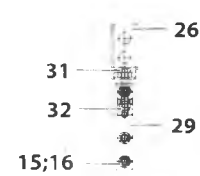
Execution „7b“



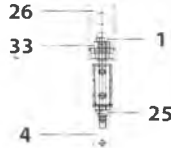
Execution „8“



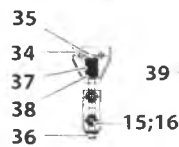
Execution „8a“



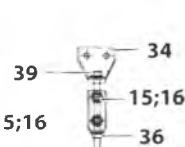
Execution „8b“



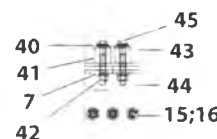
Execution „9“



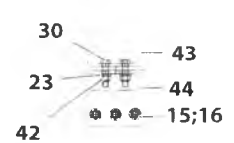
Execution „10“



Execution „11“



Execution „12“



It.	Part Number	Description	Qty.	It.	Part Number	Description	Qty.		
1	411 189	Hexagon head bolt	M 16x220	3	23	513 320	Spring washer	2	
2	511 309	Washer 17		1	24	411 465	Hexagon head bolt	M 16x1.5x280	1
3	501 713	Hexagon nut	M 16	1	25	501 713	Hexagon nut	M 16	1
4	1000 1050 000	Console for VOLVO		1	26	1000 1050 001	Console for VOLVO		3
5	1000 1131 525	Fastening plate		1	27	0000 9301 301	Pressure spring		1
6	431 067	Hexagon head bolt	M 14x1.5x50	13	28	0000 9619 018	Spring washer		2
7	511 308	Washer 15		26	29	1000 1050 007	Console		2
8	501 790	Hexagon nut	M 14	13	30	411 145	Screw	14x60	2
9	435 101	Hexagon head bolt	M 16x60	13	31	430 604	Hexagon head bolt	M 16x1.5x110	1
10	511 820	Washer 16		13	32	501 728	Hexagon nut	M 16	1
11	501 540	Hexagon nut	M 16	13	33	511 309	Washer 17		5
12	0000 1107 372	Fastening angle		1	34	1000 1050 026	Console		2
13	0000 1050 877	Fastening console		1	35	435 041	Hexagon head bolt	M 16x1.5x200	1
14	435 020	Hexagon head bolt	M 14x1.5x100	1	36	509 997	Hexagon nut	M 16	2
15	509 996	Hexagon nut	M 14	18	37	512 769	Spring washer		16
16	435 013	Hexagon head bolt	M 14x1.5x50	18	38	510 016	Washer 17		1
17	0000 5133 299	Fastening plate		1	39	435 040	Hexagon head bolt	M 16x1.5x180	1
18	1000 1131 608	Fastening plate		1	40	511 810	Washer		2
19	1000 1131 630	Fastening plate		1	41	382 357	Elastomeric sleeve		2
20	1000 1131 550	Fastening plate		1	42	501 712	Mutter	M 14	1
		optionally:			43	0000 1132 854	Fastening angle		1
21	1000 1131 723	Fastening plate		1	44	0000 1132 855	Fastening angle		2
		optionally:			45	411 145	Screw	M 14x100	2
		optionally:							
22	1000 1131 720	Fastening plate		1					
		optionally:							
		optionally:							
		optionally:							

Volvo FMX 6x4, 6x6, 8x4, M + L-cab, standing pipe, Euro 4 required parts: (flexi tube and angle bracket for heating connection on order)

Heating connection 0000 1081 235

Exhaust Soft 0090 1059 036

Washer 335 582, 2x

Washer 324 582, 2x

U-section plate 2000 1914 170, 2x

Screw M10x30, 425 941, 4x

Nut M10, 506, 364, 4x

Disc 10; 511 306, 2x

Screw 435 011, 8x (M14x1.5x40)

Mother 509 996, 8x (M14)

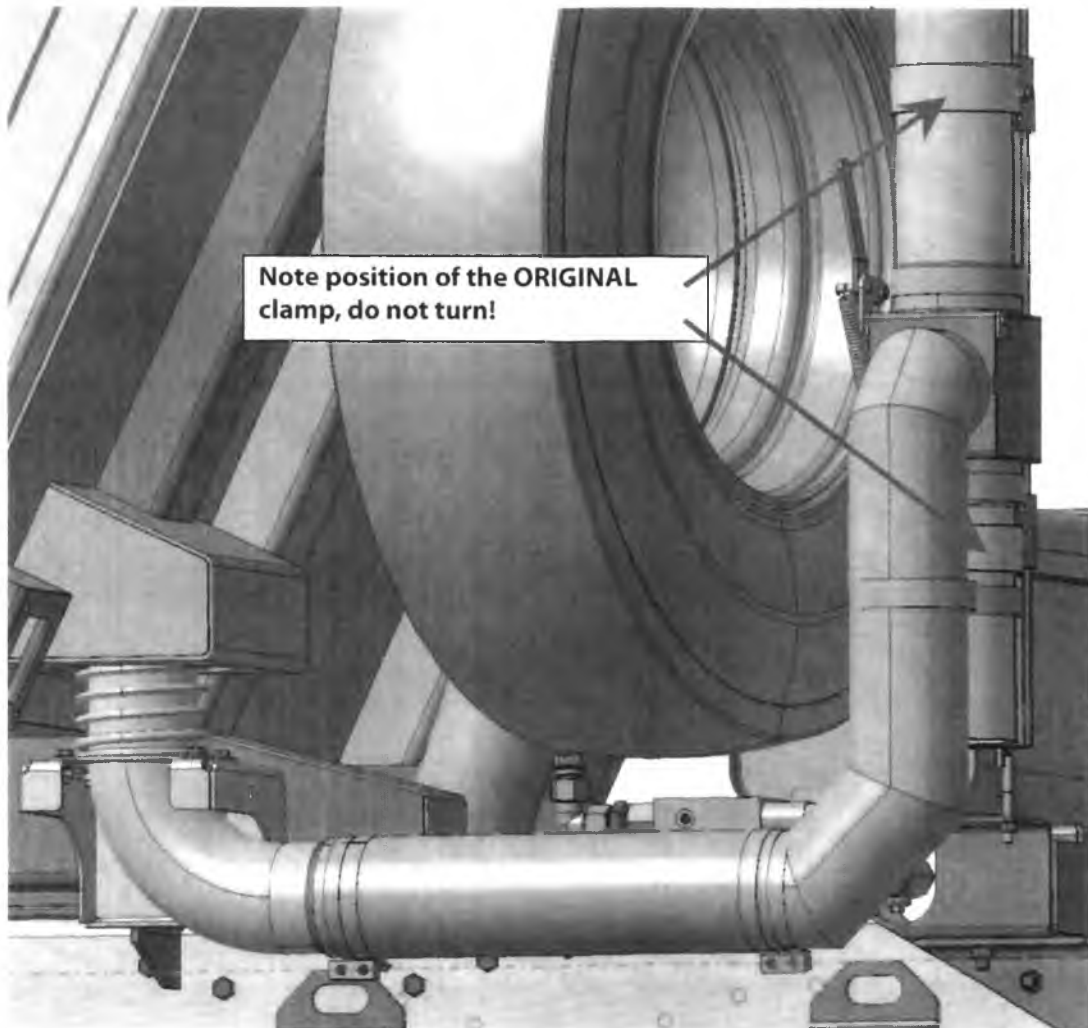
Instruction Shield 1000 1232 858

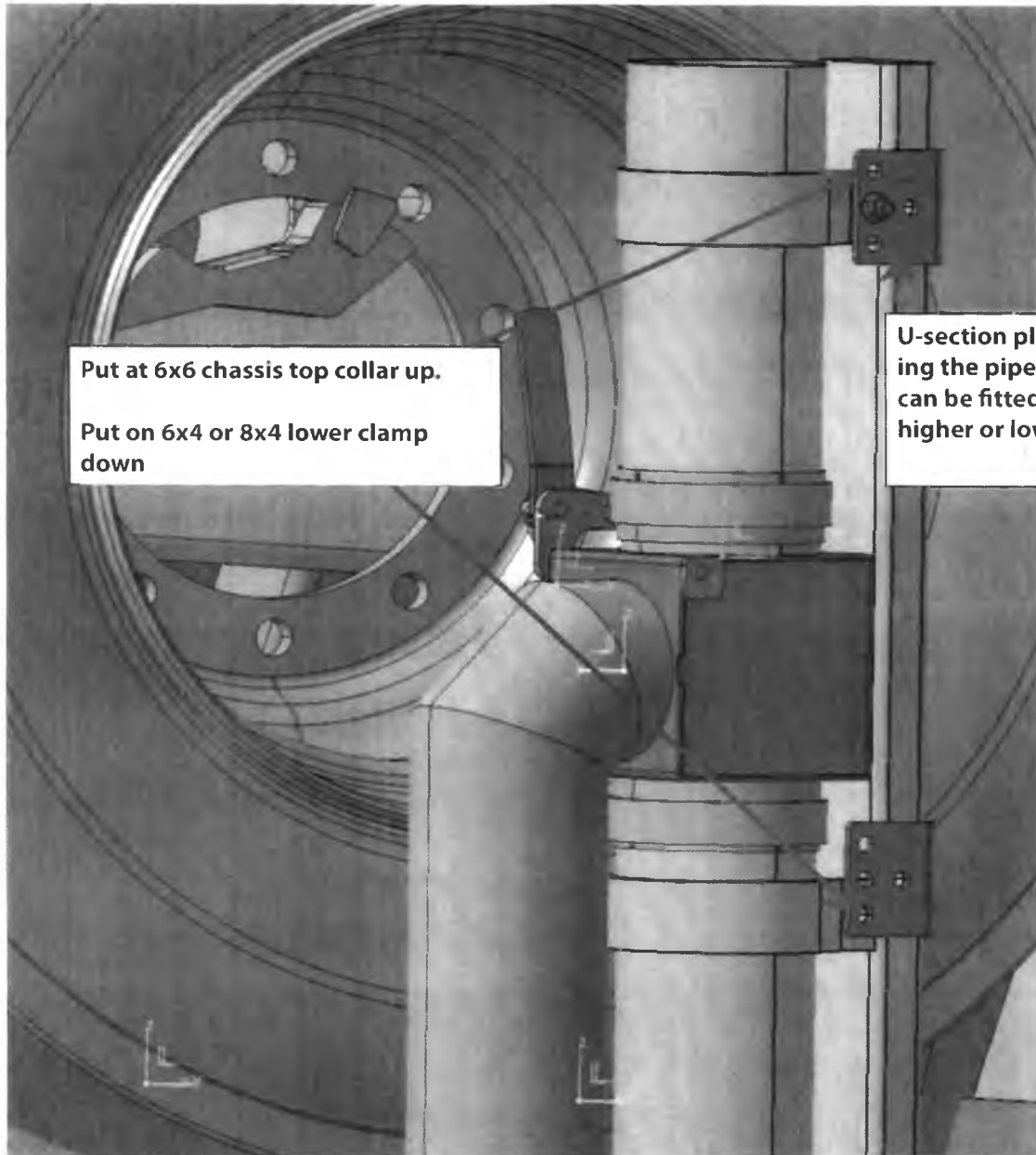
Instruction Shield 1000 1232 488, 2x

preparation:

Remove heat shield on the stationary exhaust pipe, exhaust pipe cut 670mm above top of chassis, put on Exhaust soft, top of the pipe plug in unabridged Exhaust soft top. Pipes need to be plugged all the way into the points. Vertical pipe with U-section plate 2000 1914 170 and Exhaust soft mount. All parts align to each other without tension and tighten Flexitubes fit straight (exhaust direction = direction of the arrow). Heat shield mount and adjust. On vehicles with large tires, or pipe heat shield on flexi tube mount.

After mounting the tipper central heating connection for the heating console align the bridge.

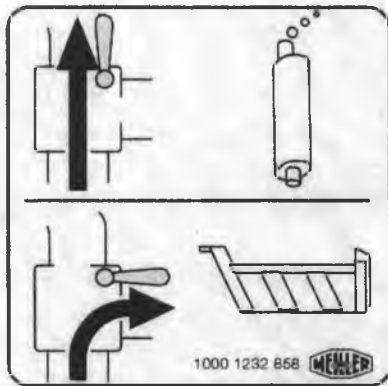
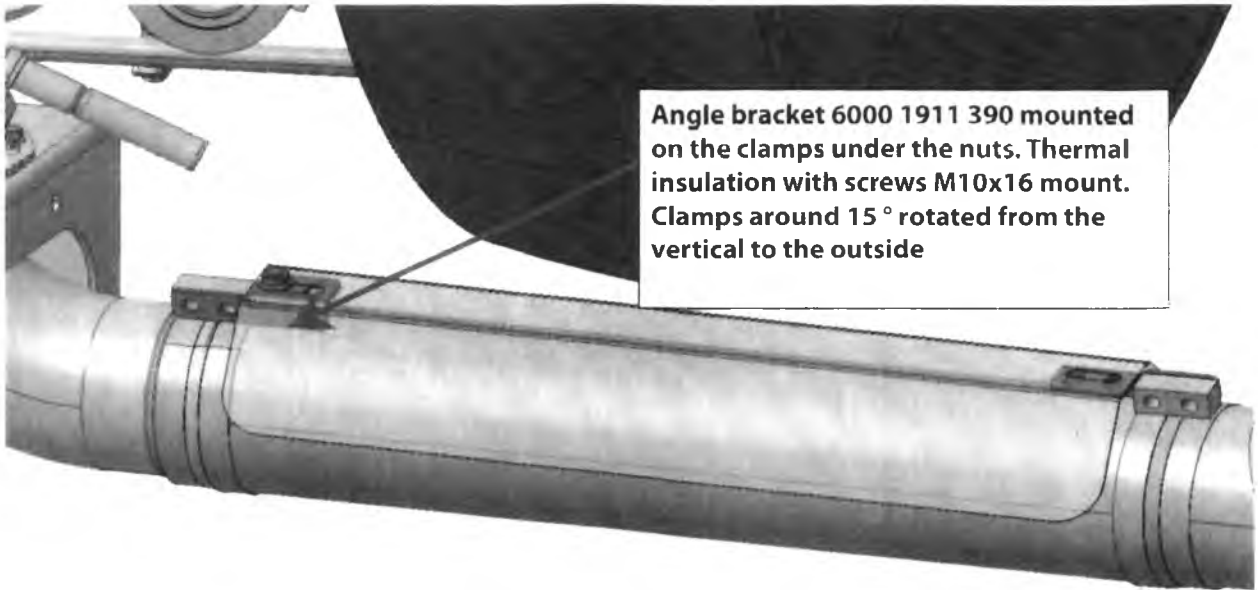




on the front rib of the tipper body left and right attach Instruction Shield



Mounting heat shield with large tires



Instruction shield for Exhaust operation, stick on rear cab wall



Tube distance to the clamps about 2 mm

Additionally required parts, (not part of the Parts List of 0090 1081 112) on order-driven:**At 0026 0115 083**, 6x4, regular tires, M-cab

- Bracket 4000 1911 764
- Flexi tube 0000 1117 901 (400mm)

At 0026 0115 085, 6x6, big tires, M-cab

- Bracket 4000 1911 764
- Flexi tube 0000 1117 820 (580mm)
- Heat shield 1000 1215 245
- Angle bracket 6000 1911 390, 2x
- Tensilock self-locking screw 425 936, 2x
- Tensilock self-locking nut 506 364, 2x

At 0026 0115 070, 8x4, regular tires, M-cab

- Bracket 6000 1911 294
- Flexi tube 0000 1117 902 (290mm)

At 0026 0115 094, 8x4, regular tires, L-cab (Scandinavientipper)

- Bracket 6000 1911 294
- Flexi tube 0000 1117 821 (200mm)

At 0026 0115 096, 6x6, big tires, M-cab (Mucki)

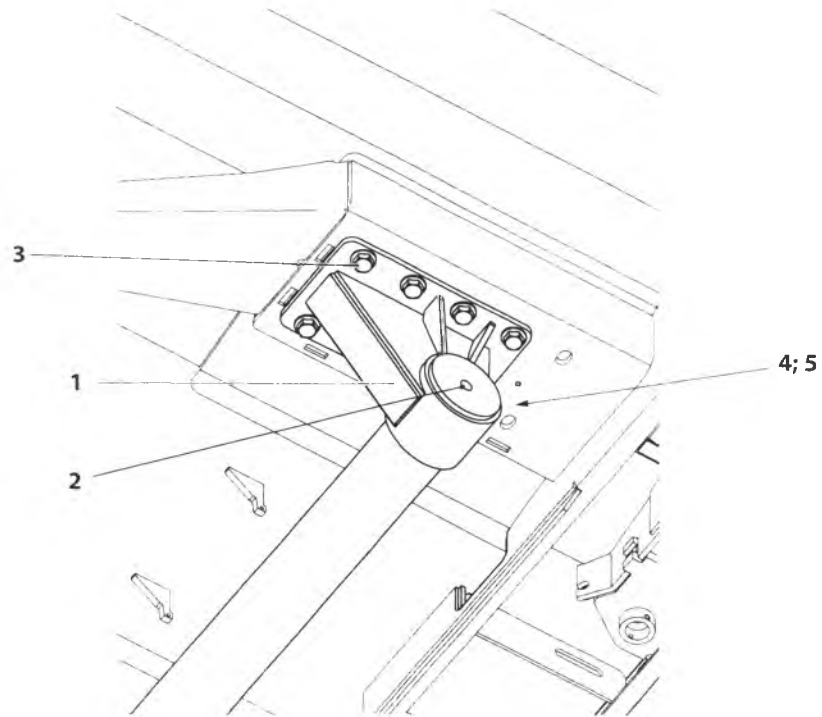
- Bracket 4000 1911 764
- Flexi tube 0000 1117 817 (710mm)
- Heat shield 1000 1215 246
- Angle bracket 6000 1911 390, 2x
- Tensilock self-locking screw 425 936, 2x
- Tensilock self-locking nut 506 364, 2x

At 0026 0115 095, 6x4, regular tires, M-cab (Mucki)

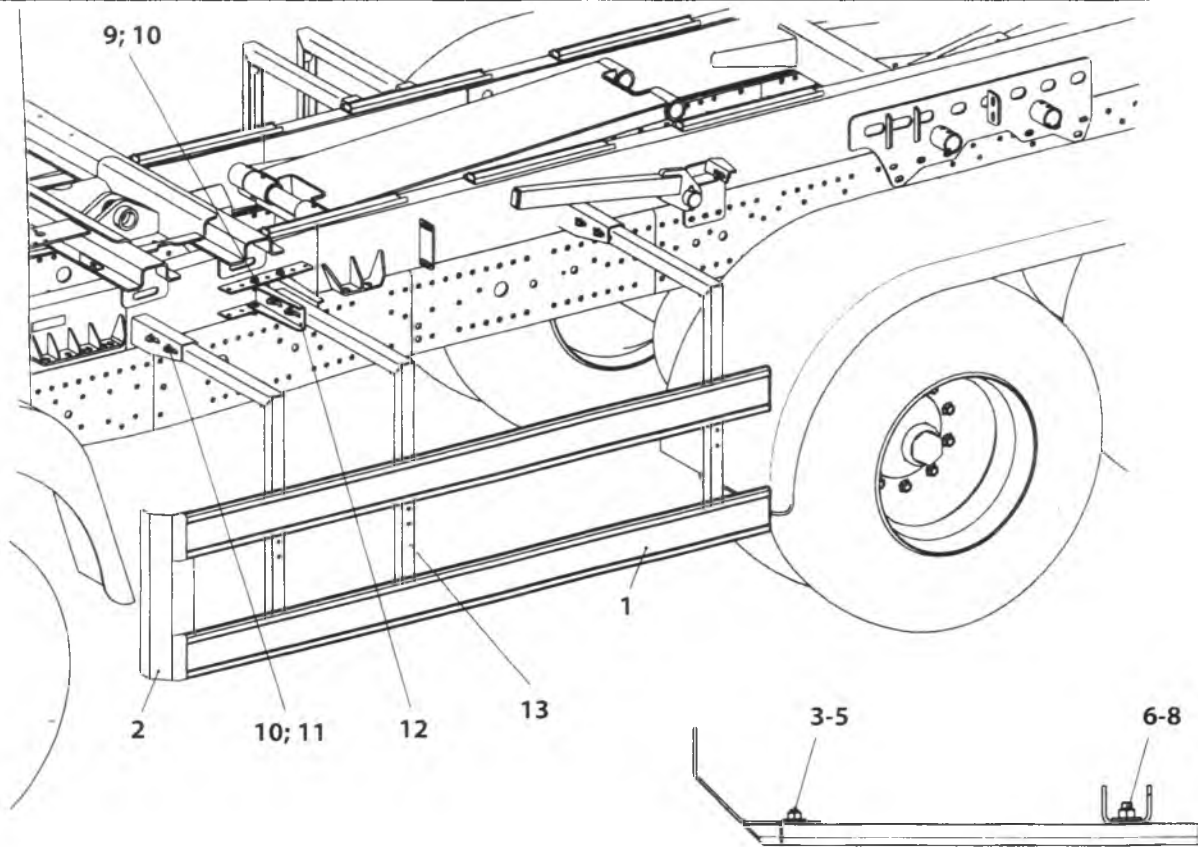
- Bracket 4000 1911 764
- Flexi tube 0000 1117 900 (550mm)

At 0026 0115 064, 6x4, regular tires, M-cab (P328)

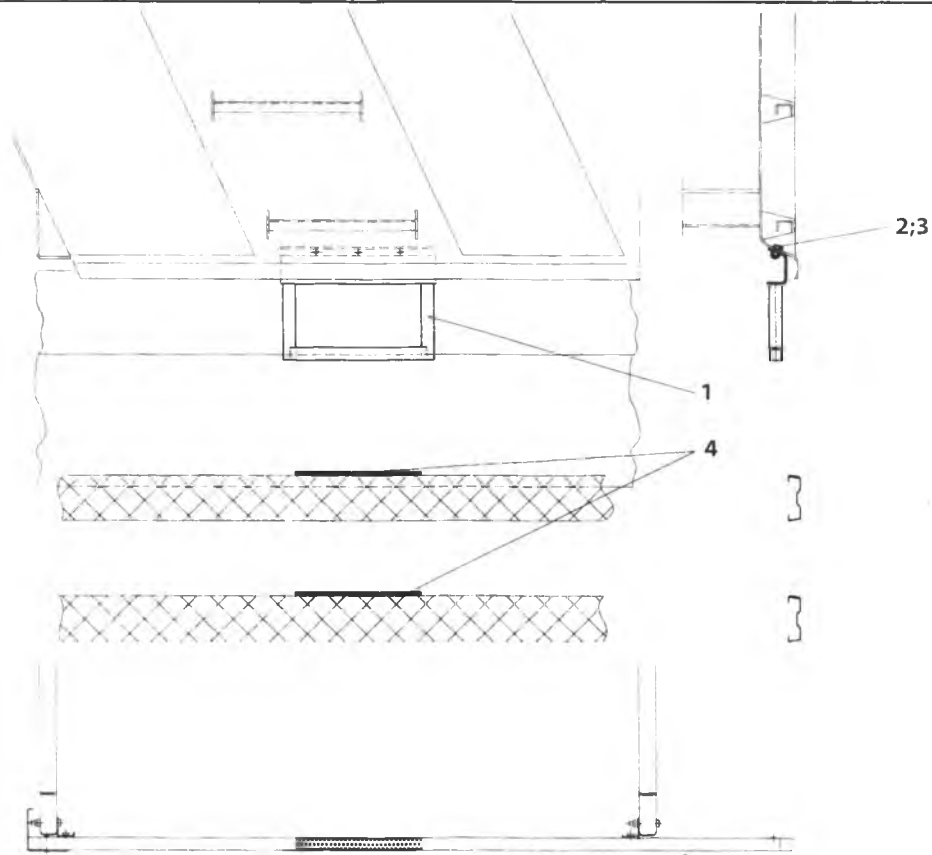
- Bracket 6000 1911 294
- Flexi tube 0000 1117 820 (580mm)
- Heat shield 1000 1215 245
- Angle Bracket 6000 1911 390, 2x
- Tensilock self-locking screw 425 936, 2x
- Tensilock self-locking nut 506 364, 2x



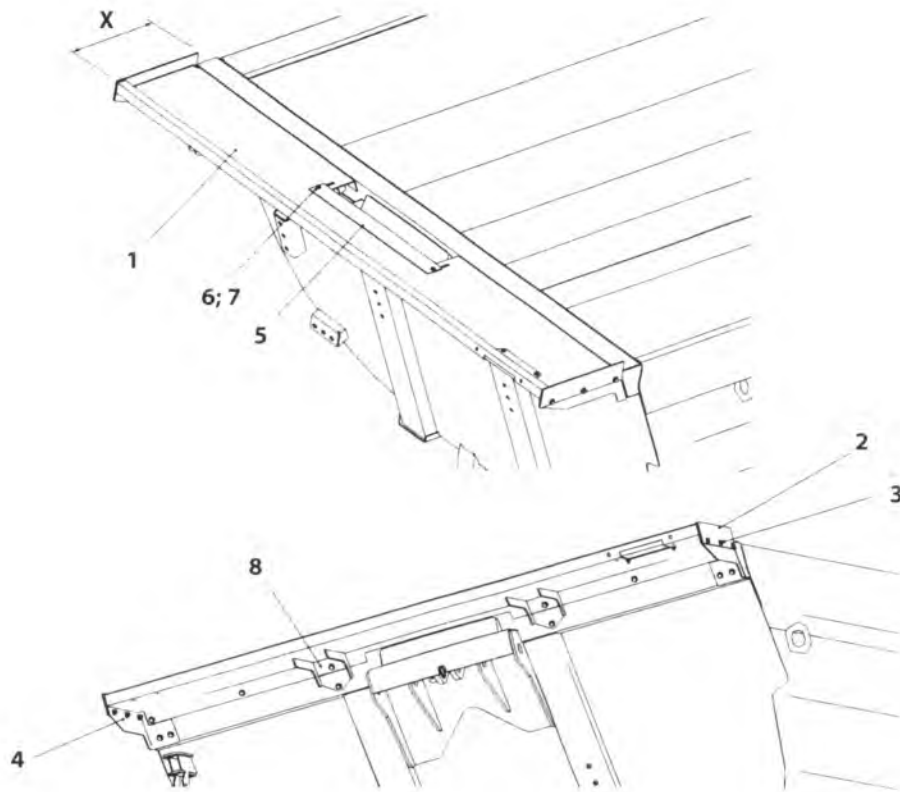
It.	Part Number	Description	Qty.	It.	Part Number	Description	Qty.
1	0364 1034 061	Pivot bearing, left	1				
	0364 1034 062	Pivot bearing, right	1				
2	573 307	Plug	2				
3	425 796	Self-locking screw	M 20x55	14			
4	569 037	Tapered greas nipple	H3 SFG 8x1	2			
5	573 525	Protective cap		2			



It.	Part Number	Description	Qty.	It.	Part Number	Description	Qty.		
1	0000 1916 290	Protection rail	3000 mm lg.	1	11	435 089	Flanged head screw	M 12x1.5x80	4
	0000 1916 291	Protection rail	3500 mm lg.	1	12	5000 1911 873	Angle		2
	0000 1916 292	Protection rail	4000 mm lg.	1					
	0000 1916 293	Protection rail	4500 mm lg.	1	13	0000 1045 838	Bracket	560 mm lg.	
	0000 1916 294	Protection rail	5000 mm lg.	1		0000 1045 839	Bracket	660 mm lg.	
	0000 1916 295	Protection rail	6000 mm lg.	1		0000 1045 840	Bracket	760 mm lg.	
	0000 1916 296	Protection rail	2180 mm lg.	1		0000 1045 841	Bracket	860 mm lg.	
	0000 1916 297	Protection rail	1435 mm lg.	1					
	0000 1916 298	Protection rail	2400 mm lg.	1	14	0999 1232 067	Data plate		1
	0000 1916 299	Protection rail	2000 mm lg.	1					
	0000 1916 300	Protection rail	1200 mm lg.	1			as required		
	0000 1916 301	Protection rail	850 mm lg.	1					
	0000 1916 302	Protection rail	250 mm lg.	1					
2	5000 1911 789	Shaped plate	400 mm lg.	1					
	5000 1911 790	Shaped plate	450 mm lg.	1					
	5000 1911 791	Shaped plate	500 mm lg.	1					
	5000 1911 792	Shaped plate	550 mm lg.	1					
3	501 708	Hexagon nut	M 8	*					
4	511 229	Washer	8.4-St	*					
5	582 462	T slot nut	M 8	*					
6	582 463	T-slot nut	M 10	*					
7	501 710	Hexagon nut	M 10	*					
8	510 012	Washer	10.5 St	*					
9	435 000	Flanged head screw	M 12x1.5x30	4					
10	509 995	Flanged head nut	M 12	8					

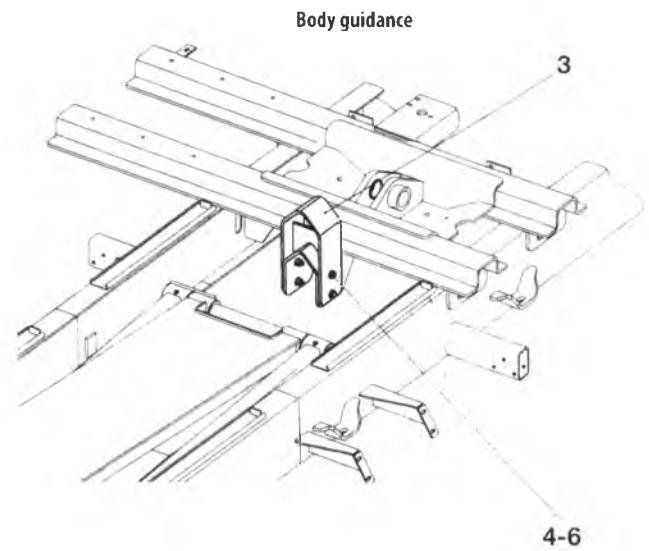
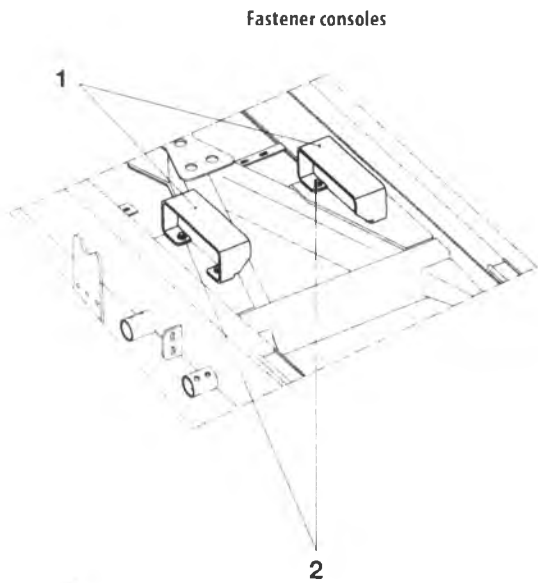


It.	Part Number	Description	Qty.	It.	Part Number	Description	Qty.
1	0000 9078 082	Stirrup, cpl.	1				
2	433 564	Hexagon head bolt	M 12x1.5x25	3			
3	501 726	Lock nut	VM 12x1.5	3			
4	0000 5424 021	Non slip surface		2			

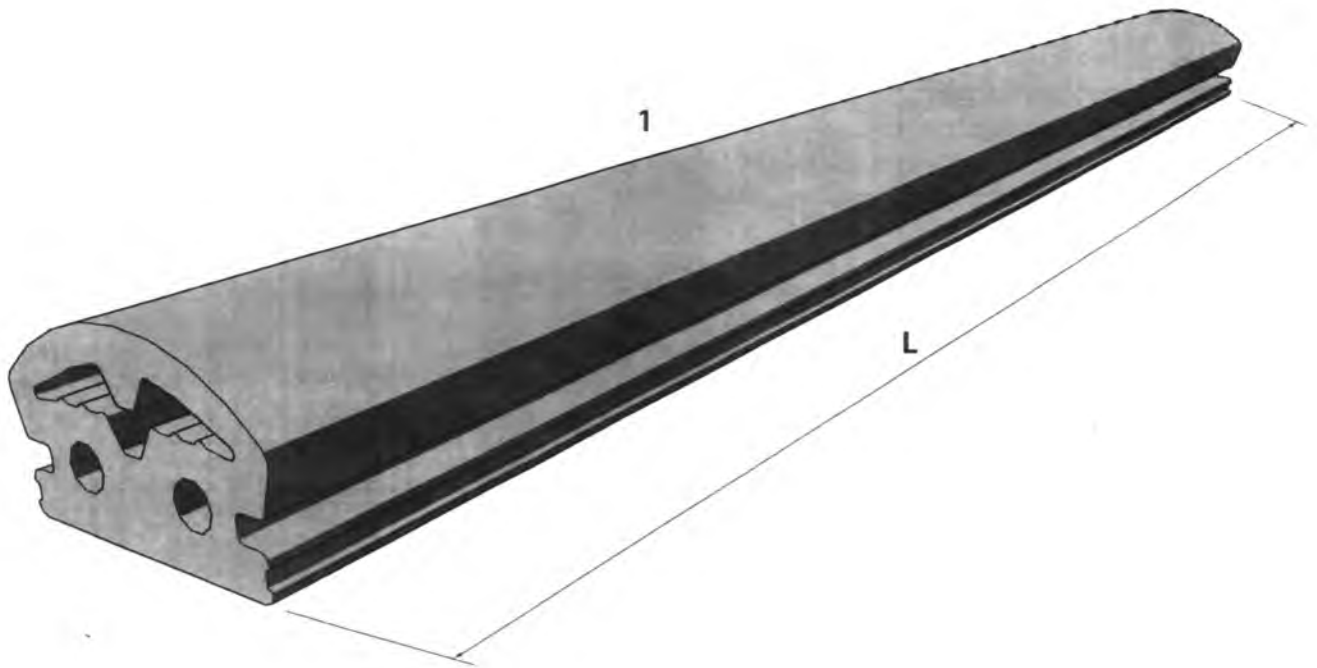


It.	Part Number	Description	Qty.	It.	Part Number	Description	Qty.
1	0000 1073 ...	Protective roof	1				
2	1000 1713 ...	Lateral plate	2				
3	425 949	Self-locking screw	M 12x25				
4	506 365	Self-locking nut	M 12				
5	0000 1068 191	Cover		8	2000 1731 316	Reinforcement	X = 125 to 225 mm
6	425 930	Self-locking screw	M 8x20		2000 1731 744	Reinforcement	X = 275 to 575 mm
7	506 363	Self-locking nut	M 8				

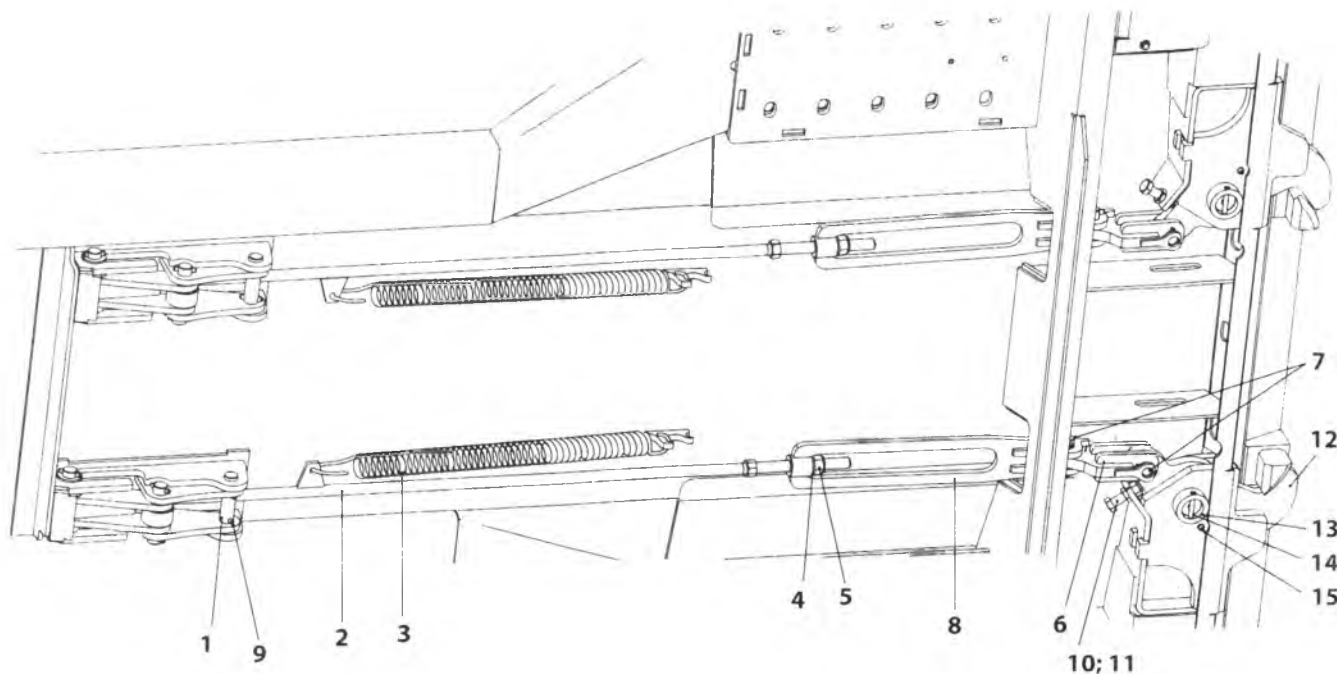
	Mounting of protective roof	usage	„X“ [mm]	Item 1 0000 1073 ...	Item 2 1000 1713 ...	Item 3 425 949	Item 4 506 365	Item 5 0000 1068 191	Items 6+7 425 930 506 363
ohne Ausschnitt für Pressenlager	0090 1073 132	with tarpaulin system	125	412					2 x + 2 x
	0090 1073 133		175	413					
	0090 1073 134		225	414					
	0090 1073 135		275	415					
	0090 1073 136		325	416					
	0090 1073 137		375	417	12 x				
	0090 1073 138		425	418					
	0090 1073 139		475	419					
	0090 1073 140		525	420					
	0090 1073 141		575	421					
	0090 1073 142	without tarpaulin system	125	412	302				
	0090 1073 143		175	413	303				
	0090 1073 144		225	414	304	16 x	4 x		
	0090 1073 145		275	415	305				
	0090 1073 146		325	416	306				
	0090 1073 147		375	417	307				
	0090 1073 148		425	418	308				
	0090 1073 149		475	419	309	18 x	6 x		
	0090 1073 150		525	420	310				
	0090 1073 151		575	421	311				



It.	Part Number	Description	Qty.	It.	Part Number	Description	Qty.
1	1000 1050 218	Fastener guidance, left	1				
	1000 1050 219	Fastener guidance, right	1				
2	425 950	Self-locking screw	M 12x30	6			
3	0000 1047 594	Body guidance		1			
4	421 175	Hexagon head screw	M 12x35	4			
5	510 715	Washer 13		4			
6	501 711	Lock nut	VM 12	4			

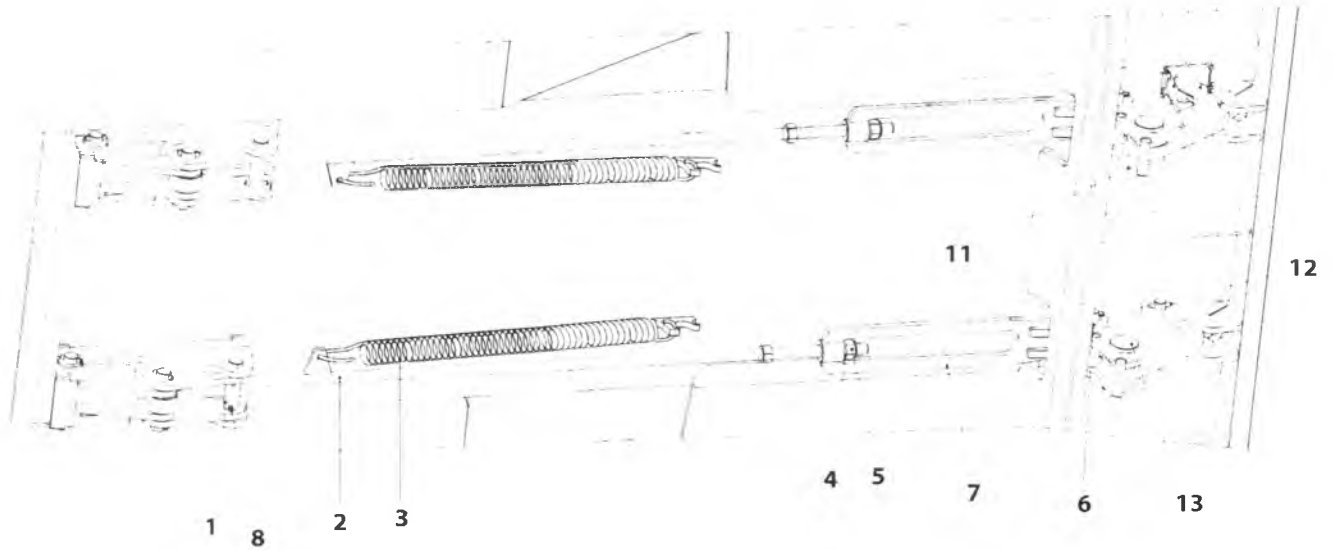


It.	Part Number	Description	Qty.	It.	Part Number	Description	Qty.
1	0000 1119 119	Rubber pad	500 mm lg.	1			
	0000 1119 120	Rubber pad	300 mm lg.	1			
	0000 1119 121	Rubber pad	60 mm lg.	1			

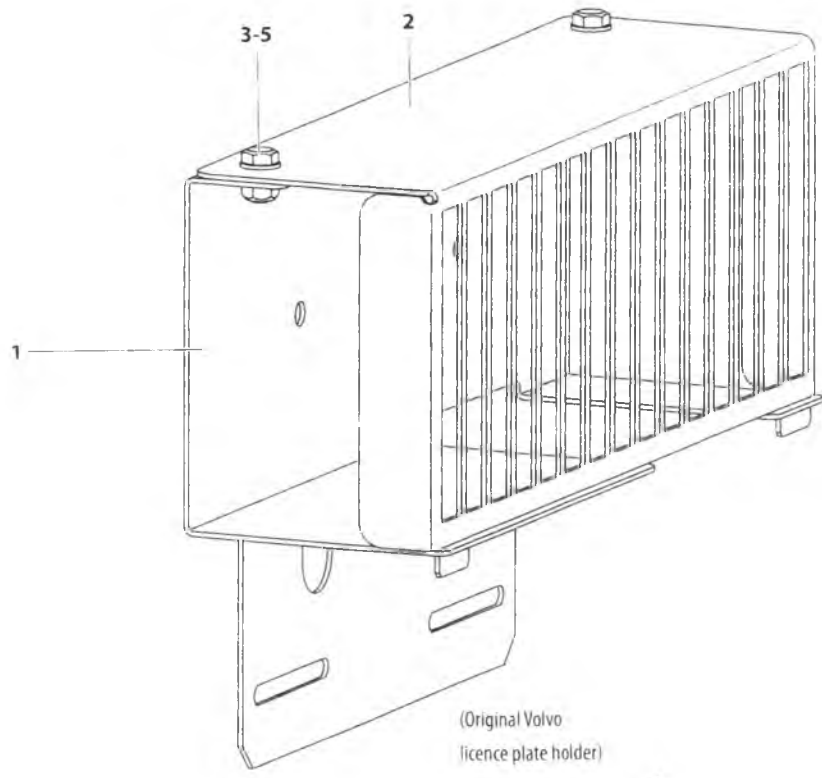


It.	Part Number	Description	Qty.	It.	Part Number	Description	Qty.																												
1	0000 9244 196	Pin	2	<table border="1"> <thead> <tr> <th>Locking device, vollst.</th> <th>Rods, cpl.</th> <th>Overhang oblique Tailgate [mm]</th> <th>Overhang straight Tailgate [mm]</th> </tr> </thead> <tbody> <tr> <td>1000 1067 523</td> <td>0000 1089 736</td> <td>-</td> <td>600</td> </tr> <tr> <td>1000 1067 524</td> <td>0000 1089 737</td> <td>600</td> <td>650</td> </tr> <tr> <td>1000 1067 525</td> <td>0000 1089 738</td> <td>650</td> <td>700</td> </tr> <tr> <td>1000 1067 526</td> <td>0000 1089 739</td> <td>700</td> <td>750</td> </tr> <tr> <td>1000 1067 527</td> <td>0000 1089 740</td> <td>750</td> <td>800</td> </tr> <tr> <td>1000 1067 528</td> <td>0000 1089 741</td> <td>800</td> <td>-</td> </tr> </tbody> </table>				Locking device, vollst.	Rods, cpl.	Overhang oblique Tailgate [mm]	Overhang straight Tailgate [mm]	1000 1067 523	0000 1089 736	-	600	1000 1067 524	0000 1089 737	600	650	1000 1067 525	0000 1089 738	650	700	1000 1067 526	0000 1089 739	700	750	1000 1067 527	0000 1089 740	750	800	1000 1067 528	0000 1089 741	800	-
Locking device, vollst.	Rods, cpl.	Overhang oblique Tailgate [mm]	Overhang straight Tailgate [mm]																																
1000 1067 523	0000 1089 736	-	600																																
1000 1067 524	0000 1089 737	600	650																																
1000 1067 525	0000 1089 738	650	700																																
1000 1067 526	0000 1089 739	700	750																																
1000 1067 527	0000 1089 740	750	800																																
1000 1067 528	0000 1089 741	800	-																																
2	0000 1089 734	Rods left cpl.	1																																
	0000 1089 735	Rods right cpl.	1																																
3	0000 9307 050	Tension spring	2																																
4	510 018	Washer 21	2																																
5	501 572	Hexagon nut	M 20																																
6	0000 1089 732	Rods. cpl.	2																																
7	0000 9244 205	Pin	4																																
8	0000 1089 . .	Rods. cpl.	see chart	2																															
9	523 870	Dowel pin	8x40	10																															
<p>When orderin spare parts of items 10 – 15. please order separately.</p>																																			
10	421 235	Hexagon head screw	M 16x60	2																															
11	501 202	Hexagon nut	M 16	2																															
12	0000 1233 085	Hook for lock		2																															
13	0000 9244 194	Pin		2																															
14	523 871	Dowel pin	8x60	2																															
15	569 033	Tapered grease nipple	M 10	2																															

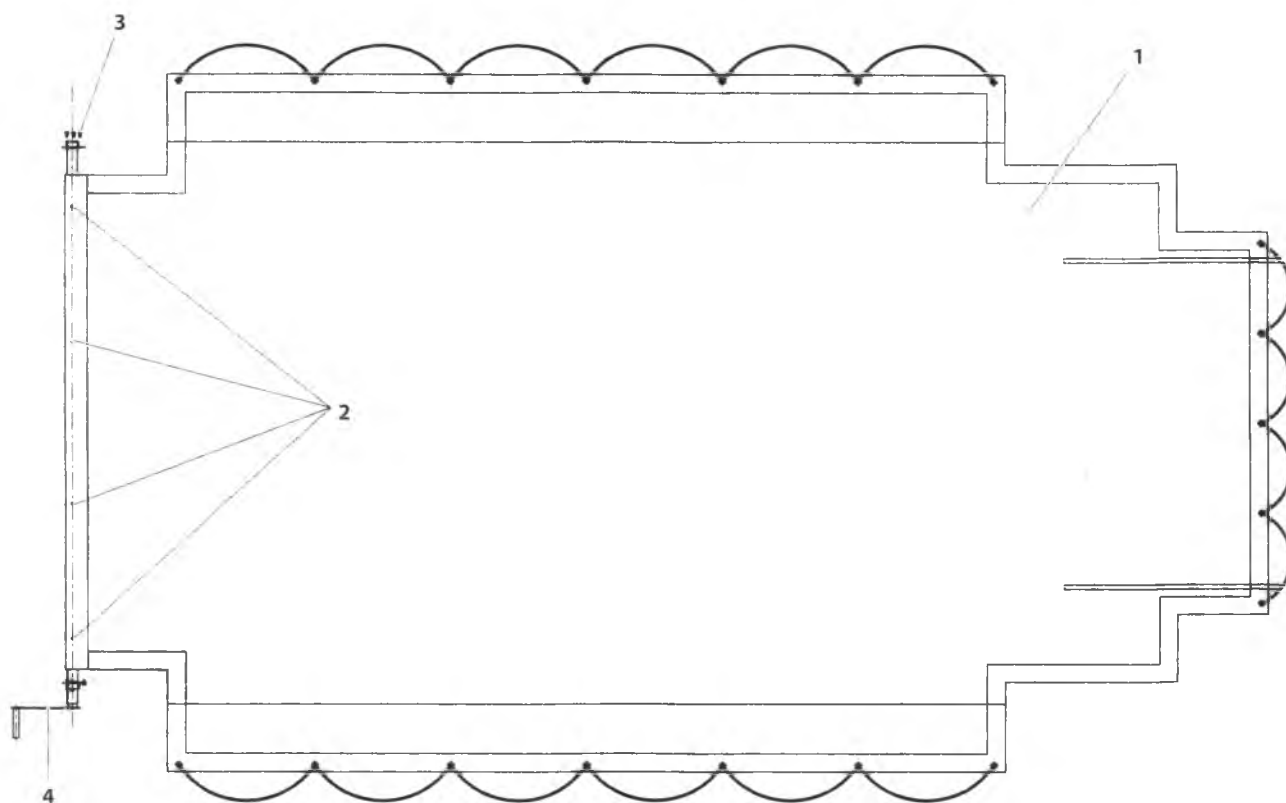
14; 15 9 10



It.	Part Number	Description	Qty.	It.	Part Number	Description	Qty.																												
1	0000 9244 196	Pin	2	<table border="1"> <thead> <tr> <th>Locking device, vollst.</th> <th>Rods, cpl.</th> <th>Overhang oblique Tailgate [mm]</th> <th>Overhang straight Tailgate [mm]</th> </tr> </thead> <tbody> <tr> <td>1000 1067 529</td> <td>0000 1089 742</td> <td>—</td> <td>600</td> </tr> <tr> <td>1000 1067 530</td> <td>0000 1089 743</td> <td>600</td> <td>650</td> </tr> <tr> <td>1000 1067 531</td> <td>0000 1089 744</td> <td>650</td> <td>700</td> </tr> <tr> <td>1000 1067 532</td> <td>0000 1089 745</td> <td>700</td> <td>750</td> </tr> <tr> <td>1000 1067 533</td> <td>0000 1089 746</td> <td>750</td> <td>800</td> </tr> <tr> <td>1000 1067 534</td> <td>0000 1089 747</td> <td>800</td> <td>—</td> </tr> </tbody> </table>				Locking device, vollst.	Rods, cpl.	Overhang oblique Tailgate [mm]	Overhang straight Tailgate [mm]	1000 1067 529	0000 1089 742	—	600	1000 1067 530	0000 1089 743	600	650	1000 1067 531	0000 1089 744	650	700	1000 1067 532	0000 1089 745	700	750	1000 1067 533	0000 1089 746	750	800	1000 1067 534	0000 1089 747	800	—
Locking device, vollst.	Rods, cpl.	Overhang oblique Tailgate [mm]	Overhang straight Tailgate [mm]																																
1000 1067 529	0000 1089 742	—	600																																
1000 1067 530	0000 1089 743	600	650																																
1000 1067 531	0000 1089 744	650	700																																
1000 1067 532	0000 1089 745	700	750																																
1000 1067 533	0000 1089 746	750	800																																
1000 1067 534	0000 1089 747	800	—																																
2	0000 1089 734	Rods left. cpl.	1																																
	0000 1089 735	Rods right. cpl.	1																																
3	0000 9307 050	Tension spring	2																																
4	510 018	Washer 21	2																																
5	501 572	Hexagon nut	M 20 2																																
6	0000 9244 197	Pin	4																																
7	0000 1089 . . .	Rods, cpl.	see chart 2																																
8	523 870	Dowel pin	8x40 8																																
<p>When ordering spare parts of items 10 – 15, please order separately.</p>																																			
9	0000 1243 381	Hook lever	2																																
10	0000 1233 086	Hook for lock	2																																
11	523 871	Dowel pin	8x60 2																																
12	523 870	Dowel pin	8x40 4																																
13	0000 9244 294	Pin	2																																
14	425 941	Self-locking screw	M 10x30 4																																
<p>optionally:</p>																																			
15	2000 1909 525	Plate	3 mm thick *																																
	2000 1909 526	Plate	4 mm thick *																																
	2000 1909 527	Plate	5 mm thick *																																



It.	Part Number	Description	Qty.	It.	Part Number	Description	Qty.
1	1000 1914 840	U-plate	1				
2	0000 1174 115	Cover	1				
3	421 114	Hexagon head bolt	M 8x16	2			
4	501 708	Hexagon nut	M 8	2			
5	510 011	Plate	8 St	2			



It.	Part Number	Description	Qty.	It.	Part Number	Description	Qty.
1	0000 1979 ...	Tarpaulin, separate	(see table)	1			
2	533 878	Blank rivet	5x16	4			
3	425 703	Tensilock self-locking screw	M 8x16	6			
4	0000 9051 052	Tarpaulin crank, complete		1			

Tarpaulin, complete	Tarpaulin, separate	Tipper body version	
		Floor length [mm]	Side wall height [mm]
0000 9079 050	0000 1979 000	4650	1300
0000 9079 051	0000 1979 001	4800	1400
0000 9079 052	0000 1979 002	4500	1500
0000 9079 053	0000 1979 003	4800	1500
0000 9079 054	0000 1979 004	5900	1350
0000 9079 079	0000 1979 029	5400	1500